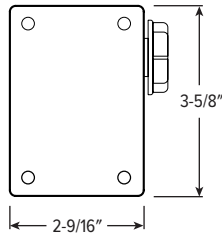


# XPP ZONE CONTROL



CATALOG #: \_\_\_\_\_

Type: \_\_\_\_\_

PROJECT: \_\_\_\_\_

## ORDERING EXAMPLE: AVI-XFAC-16A-1CH-CL1

Provides single or dual 0-10V circuit level controls for dimming, zero-cross switched AC power, energy monitoring, and sensor inputs.

- AVI-XFAC-16A-1CH-CL1** Single channel, class 1 wiring configuration
- AVI-XFAC-16A-1CH-CL2** Single channel, class 2 wiring configuration
- AVI-XFAC-16A-2CH-CL2** Dual channel for color temperature adjustment and dimming, class 2 wiring configuration
- AVI-XFAC-16A-1CH-CL1-EM** Emergency lighting control, UL 924 enabled channel, class 1 wiring configuration
- AVI-XFAC-16A-1CH-CL2-EM** Emergency lighting control, UL 924 enabled channel, class 2 wiring configuration

### FEATURES

- Versatile and easy to install wireless zone control.
- Fully networked and integrated with the Avi-on ecosystem, the XPP is interoperable with all other Avi-on sensors, wall stations, and fixture controllers.
- Plug any Avi-on Direct Connect™ sensor for easy sensor integration, or use the general purpose sensor input with 24VDC power and contact input with third party sensors.
- Includes true measured energy consumption readings every 15 minutes (>0.5% accuracy). Comply with top tier utility rebate programs and corporate energy management initiatives.
- Turn regular fixtures or circuits into emergency solutions without additional bypass relays when specified -EM.

### SYSTEM REQUIREMENTS

- Williams fixtures with Avi-on wireless control
- Desktop & mobile apps

### SPECIFICATIONS

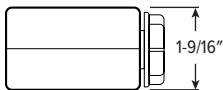
- ELECTRICAL – 100-277V supply voltage, 16A lighting rated relay
- MOUNTING – Within a fixture, electrical back box, or network closet within range of the overall mesh network
- ENVIRONMENT – -4°F to 113°F ( -20°C to 45°C)
- LISTINGS – The Avi-on Lighting Control Platform is a DesignLights Consortium® NLC qualified product



The Bluetooth® word mark and logos are registered trademarks owned by Bluetooth SIG, Inc. and any use of such marks by Avi-On is under license. Other trademarks and trade names are those of their respective owners.

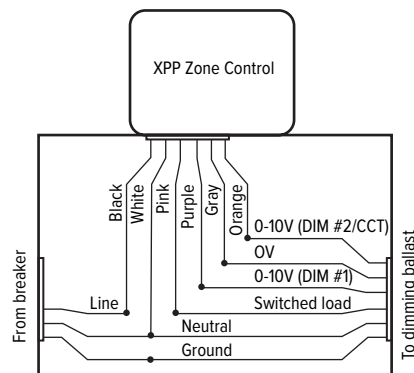
## DETAILS

### SIDE VIEW

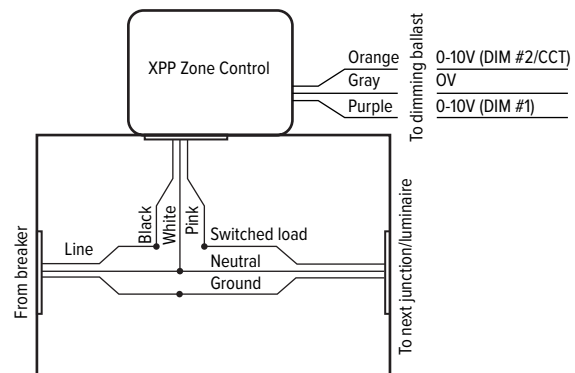


### WIRING DIAGRAMS

#### Class 1



#### Class 2



### WARNING

- This product must be installed in accordance with the applicable installation code by a person familiar with the construction and operation of the product and the hazards involved.
- Make sure all electrical power is turned off while installing.
- Must be adequately grounded for protection against shock hazards and to assure proper operation.
- Disconnect power before servicing.