

**Warning:**

- This product must be installed in accordance with the applicable installation code by a person or persons familiar with the construction and operation of the product and the hazards involved.
- Make sure all electrical power is turned off while installing the fixture.
- This luminaire must be adequately grounded for protection against shock hazards and to assure proper operation.
- Disconnect power before servicing.
- Suitable for wet location.

**TOOLS/FASTENERS PROVIDED:**

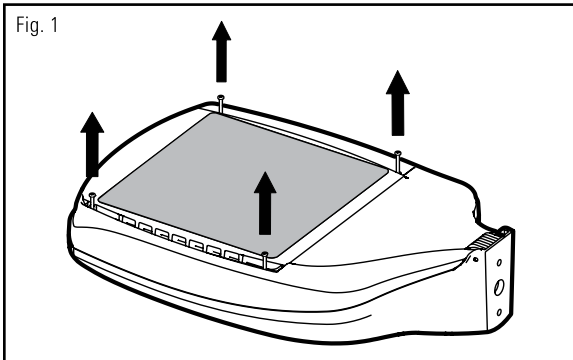
- (1) T30 Torx Bit
- (2) 3/8-16 Hex Head Bolts
- (2) 3/8 Lock Washers
- (1) Nut Plate
- (1) Gasket

**TOOLS/FASTENERS REQUIRED:**

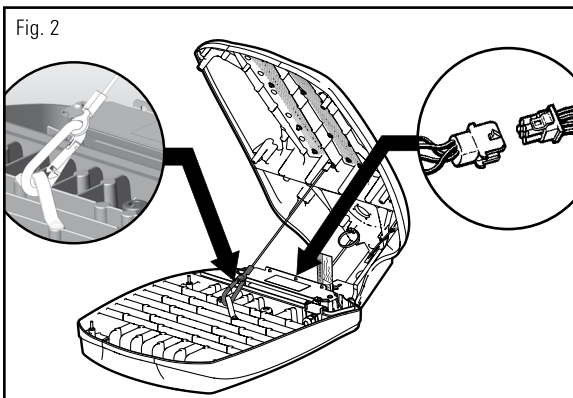
- 9/16" Wrench (for 3/8-16 Mounting Bolts)
- 5/32" Hex Key for 10-24 Socket Head Cap Screws

### FIXTURE PREPARATION

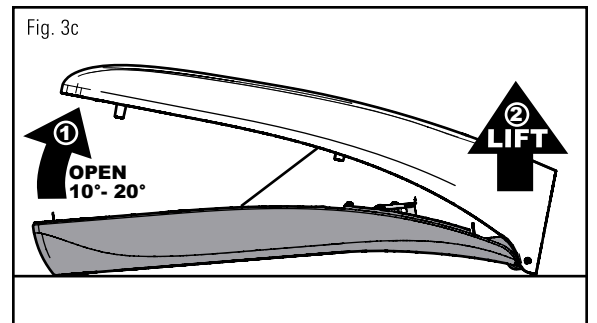
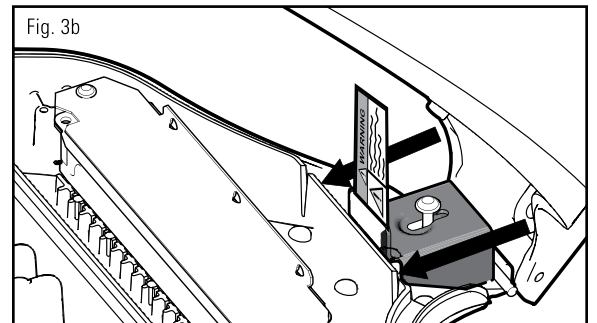
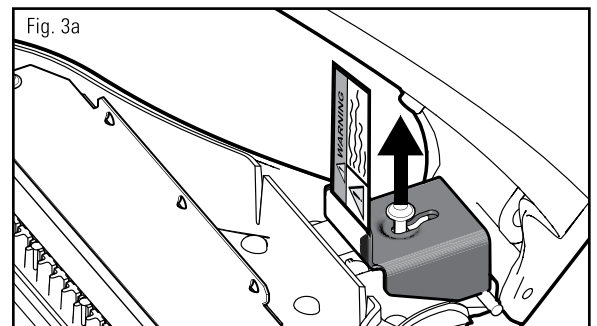
**Step 1:** Position fixture face up on a flat surface. Loosen (4) captive 10-24 socket head cap screws using 5/32" hex key (Fig. 1).



**Step 2:** Carefully turn fixture over and raise upper housing to vertical position. Disconnect wiring harness and unplug safety cable from lower housing (Fig. 2).



**Step 3:** Loosen M6 torx screw (Fig. 3a) using T30 bit provided with fixture and slide hinge bracket toward fixture (Fig. 3b). The two halves of the fixture housing can now be separated by holding upper half at a 10°-20° angle (Fig. 3c).



# VA1 & VA2 LED SERIES INSTALLATION INSTRUCTIONS

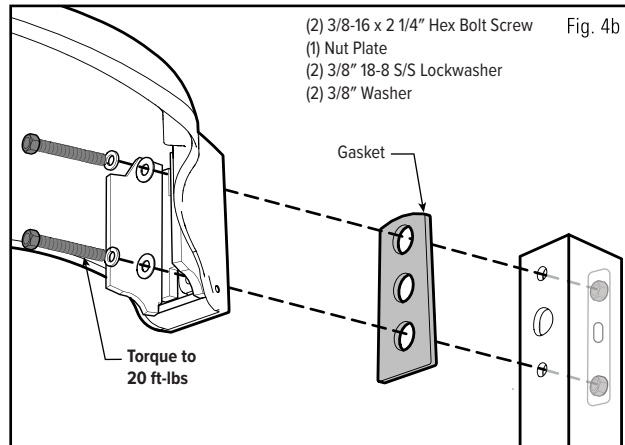
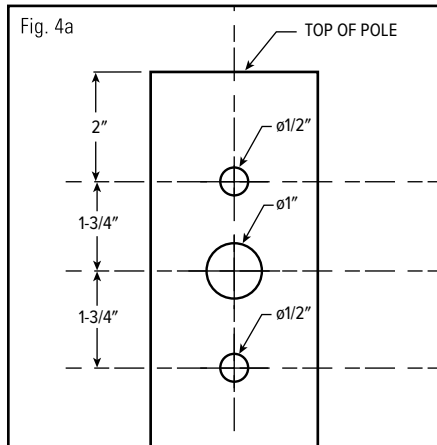
## FIXTURE MOUNTING

### Step 4: MOUNTING

Proceed using instructions below for relevant mounting application.

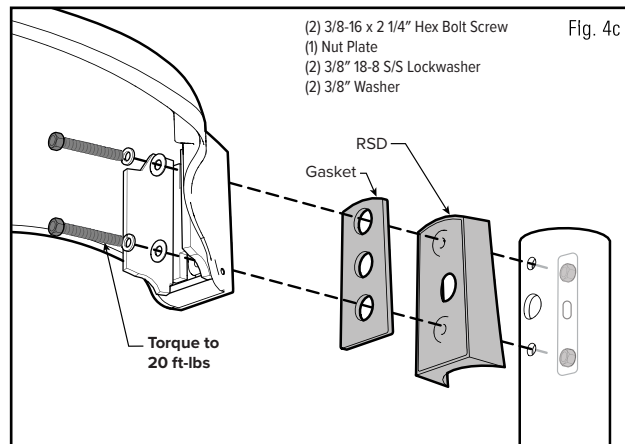
#### DIRECT POLE MOUNTING ON SQUARE POLE:

Verify that pole is drilled correctly to the dimensions below (Fig. 4a). Install upper half of housing on pole using gasket, nut plate, and 3/8"-16 hardware provided (Fig. 4b), 9/16" wrench required. Tighten securely, **torque to 50 lb-ft.**



#### MOUNTING ON ROUND POLE USING RSD:

For round surfaces use round pole mount adapter (RSD), diameter must be specified when ordering. Verify that pole is drilled correctly to the dimensions in the drill template (Fig. 4a). Install upper half of housing on pole using gasket, RSD adapter, nut plate, and 3/8"-16 hardware provided (Fig. 4c), 9/16" wrench required. Tighten securely, **torque to 50 lb-ft.**

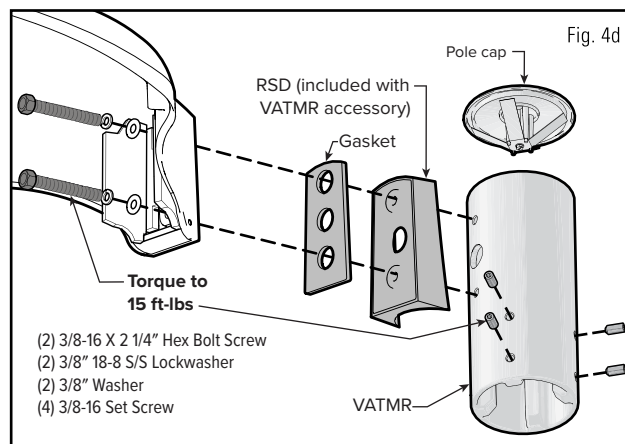


#### MOUNTING ON TENON USING VATMR ROUND TENON MOUNT:

Tools/Fasteners Required:

- (4) 3/8-16 Set Screws (provided)
- 3/16" Hex Key for 3/8-16 Set Screws

Install upper half of housing to tenon mount using gasket, RSD adapter (provided with VATMR), and 3/8"-16 hardware provided, 9/16" wrench required. Secure tenon to pole using (4) 3/8-16 set screws, 3/16" hex key required (Fig. 4d). Tighten securely, **torque 15 lb-ft.** Install pole cap provided.



# VA1 & VA2 LED SERIES INSTALLATION INSTRUCTIONS

## FIXTURE MOUNTING (Continued)

### Step 4: MOUNTING (Continued)

Proceed using instructions below for relevant mounting application.

#### MOUNTING ON WALL USING VAWM (VA1 ONLY):

**\*\*\* Not intended for use with VA2 \*\*\***

Tools/Fasteners Required:

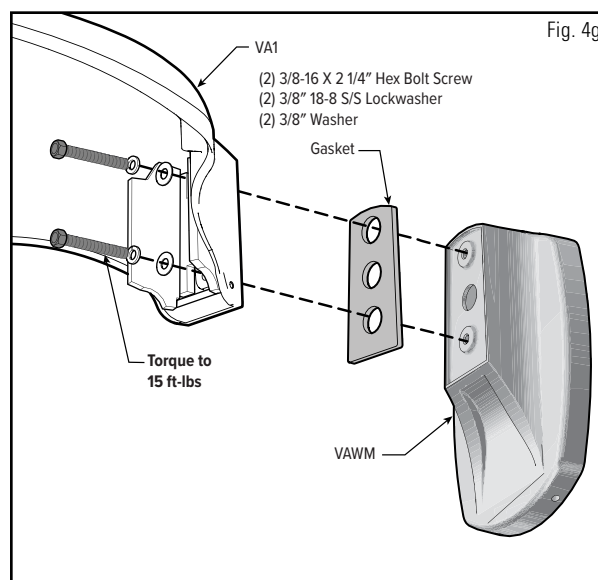
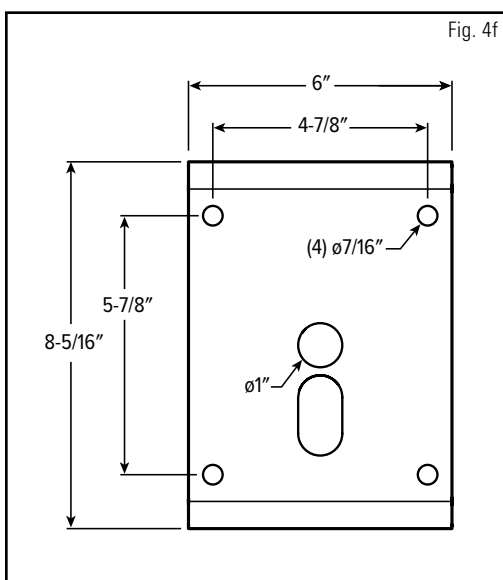
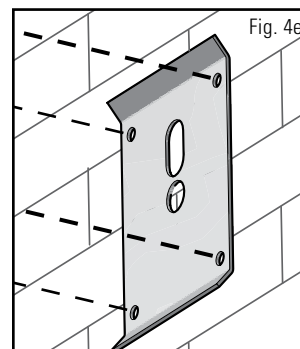
(2) 1/4-20 Set Screws (provided)

1/8" Hex Key for 1/4-20 Set Screws

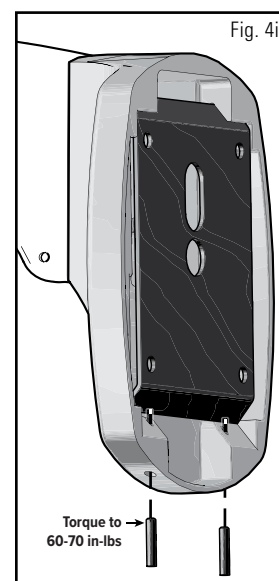
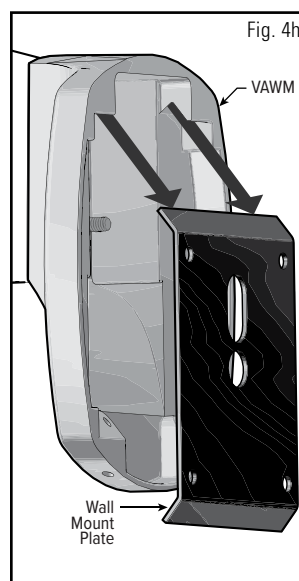
Appropriate Hardware for VAWM Wall Mount Plate (supplied by others)

Secure "VAWM" wall mount plate (Fig. 4e) using dimensions below (Fig. 4f).

**Mounting plate must be anchored to appropriate wall construction using hardware (by others) rated to adequately support fixture weight.** Apply caulking around and behind the VAWM casting to seal from water entry. Secure upper half of housing to wall mount adapter using gasket and 3/8"-16 hardware provided, 9/16" wrench required. Tighten securely, **torque to 15 lb-ft** (Fig. 4g).



Position upper housing and wall mount adapter assembly on wall mount plate (Fig. 4h) and secure using (2) 1/4-20 set screws inserted from below (Fig. 4i), 1/8" hex key required. Tighten securely, **torque to 60-70 lb-in.**

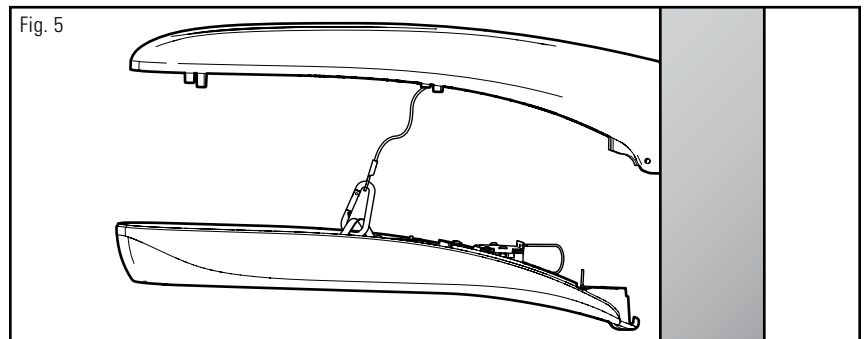


**Continue to Step 5 for fixture installation.**

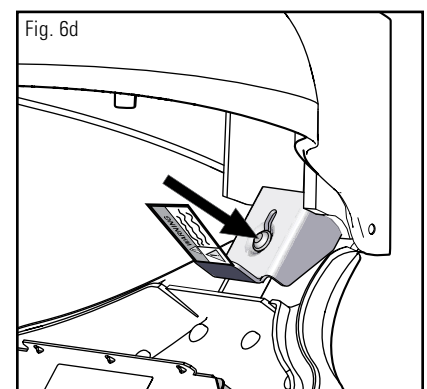
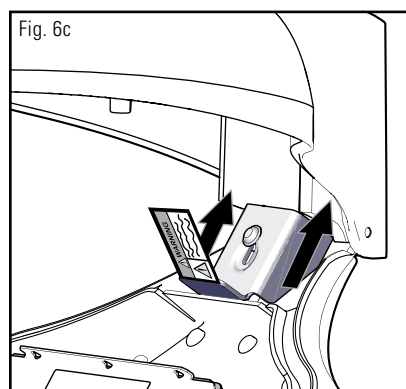
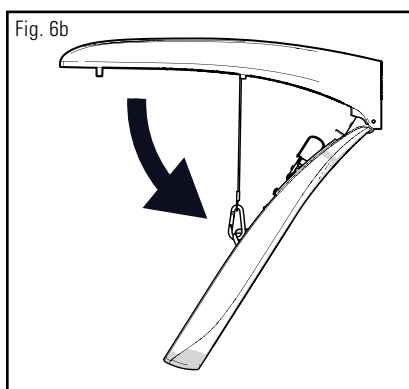
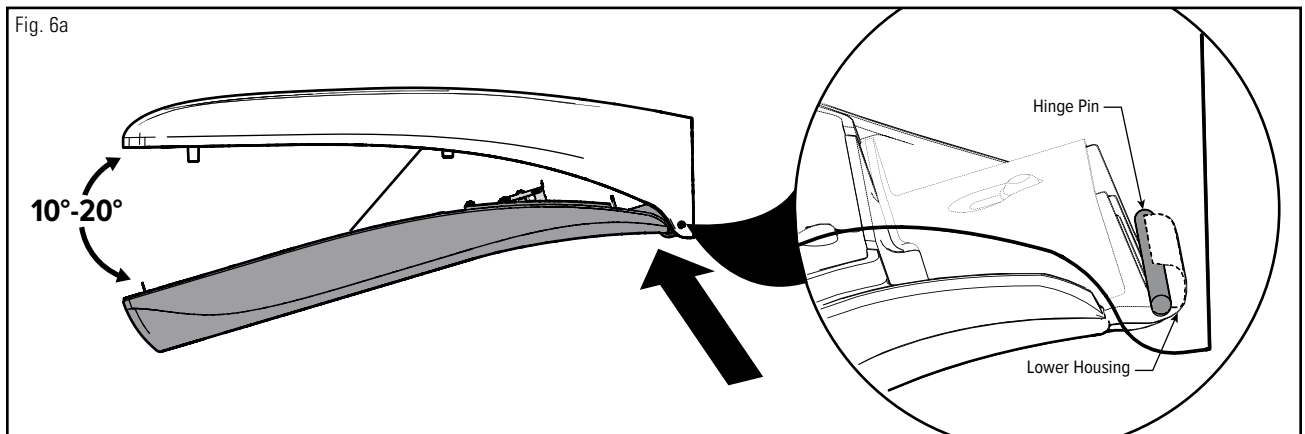
# VA1 & VA2 LED SERIES INSTALLATION INSTRUCTIONS

## FIXTURE INSTALLATION

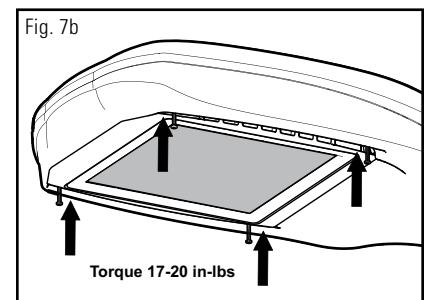
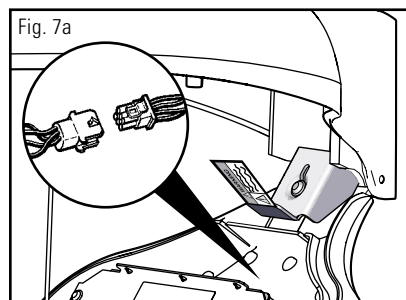
**Step 5:** Lift lower half of housing and connect retaining cable (Fig. 5).



**Step 6:** Lift lower half of housing allowing curve at housing end to hook onto hinge pin in the upper half of housing. **Installer must maintain proper angle when installing lower half of housing** (Fig. 6a). Gently swivel lower half of housing down so that its weight is supported by the retaining cable (Fig. 6b). Slide hinge bracket into place (Fig. 6c) and tighten M6 Torx screw until secure with **no movement** in hinge bracket (Fig. 6d). Housing halves are now secured together.



**Step 7:** Connect wiring harness between fixture halves and **carefully tuck all wires completely into electrical compartment** (Fig. 7a). Lift to close lower half of housing. Hand start (4) captive 10-24 socket head cap screws using 5/32" hex key. Tighten securely, **torque to 17-20 lb-in** (Fig. 7b).



# VA1 & VA2 LED SERIES INSTALLATION INSTRUCTIONS

## WIRING DIAGRAM

