

LED STEP LIGHTS

INSTALLATION INSTRUCTIONS



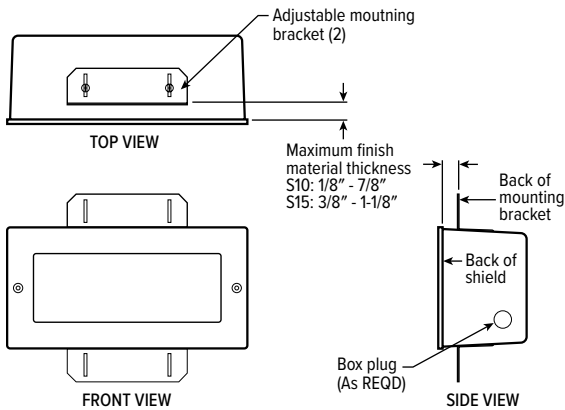
WARNING:

- This product must be installed in accordance with the applicable installation code by a person familiar with the construction and operation of the product and the hazards involved.
- Make sure all electrical power is turned off while installing the fixture.
- This luminaire must be adequately grounded for protection against shock hazards and to assure proper operation.
- All gaskets and sealing surfaces must be kept clean during installation

- Disconnect power before servicing.
- LEDs are ESD (Electro Static Discharge) sensitive devices that can be easily damaged if the proper ESD mitigating steps are not taken.
- LEDs are very sensitive to mechanical damage. Caution must be taken to avoid damage to the LEDs.
- ESD or mechanical damage voids all warranties.
- Suitable for wet location.

A. STEP LIGHT INSTALLATION

FIG A.0.1



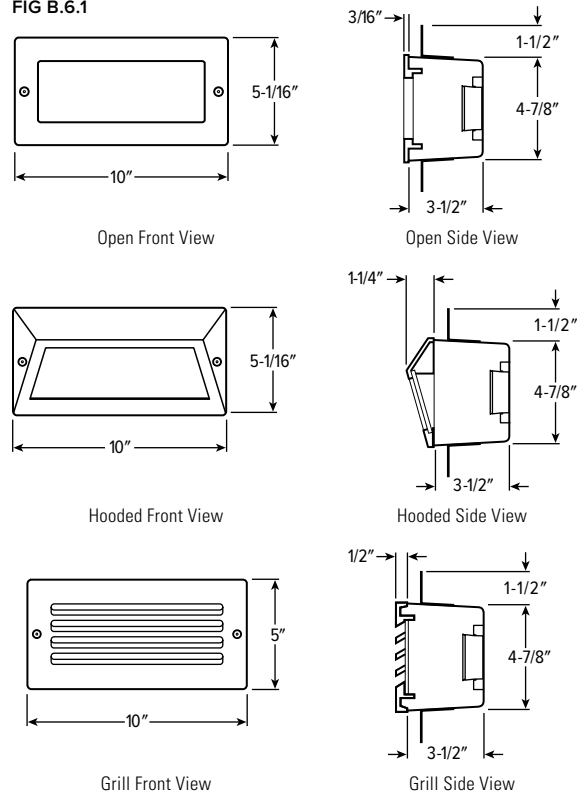
These fixtures will be shipped in two packages: the housing and mounting brackets, and the lighting portion of the fixture. The housing can then be mounted without risking damage to the lighting portion.

- STEP 1:** Housing: locate and install adjustable mounting brackets to housing using the screws provided.
- STEP 2:** Adjust the mounting brackets so the finish material thickness will be the measured distance from the back of the mounting bracket to the back of the shield. (FIG A.0.1, SIDE VIEW)
- STEP 3:** Mount in position for wall. The additional screws in the S10 housing can be mounted up or down.
- STEP 4:** Install box plug as required for end-of-circuit fixture. (FIG A.0.1, SIDE VIEW)
- STEP 5:** Mask fixture as required to protect internal components from finish material.
- STEP 6:** After finish material is in place, unpack lighting portion of fixture.

B. S10 INSTALLATION

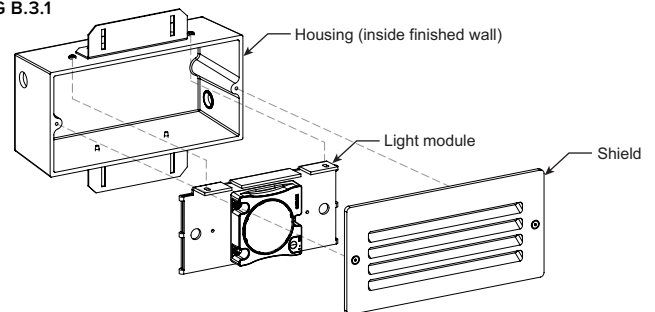
See page 2 for S15 dimensions and instructions.

FIG B.6.1



- STEP 1:** Take the light module LED, and with electrical power turned off, make electrical connections using UL approved connectors, then mount into housing. See "WIRING DIAGRAM" on page 2.
- STEP 2:** Install shield.
- STEP 3:** Use the provided silicone to seal the shield to the surface material by running a bead around the perimeter of the shield.

FIG B.3.1

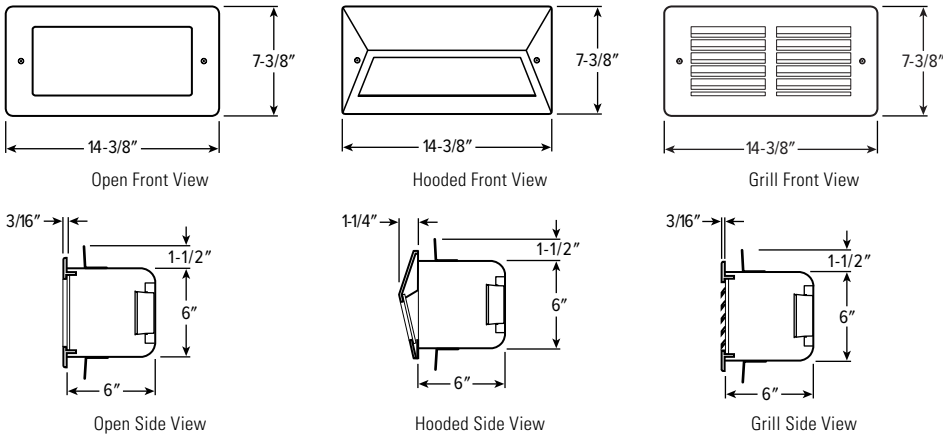


LED STEP LIGHTS

INSTALLATION INSTRUCTIONS

C. S15 INSTALLATION

FIG C.3.2



STEP 1: Take the light module mount brackets (with driver), the heat transfer pad, and the light module and mount into the housing. Remove plastic sheets from both sides of heat transfer pad and attach to back side of light module before screwing into housing.

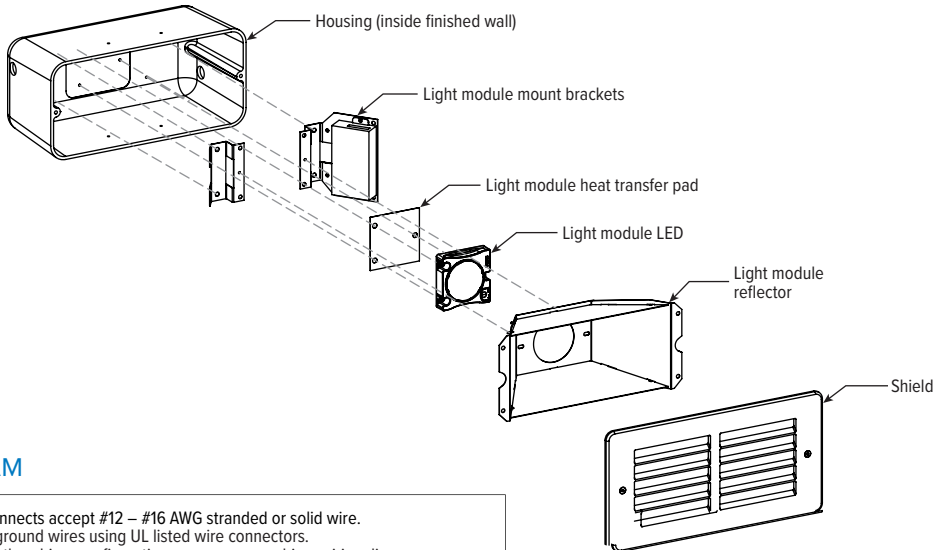
STEP 2: With electrical power turned off, make electrical connections using UL approved connectors. See "WIRING DIAGRAM".

STEP 3: Attach reflector to mount brackets.

STEP 4: Install shield.

STEP 5: Use the provided silicone to seal the shield to the surface material by running a bead around the perimeter of the shield.

FIG C.5.1



WIRING DIAGRAM

Driver/power supply disconnects accept #12 – #16 AWG stranded or solid wire. Attach power supply and ground wires using UL listed wire connectors. Please consult factory for other driver configurations or emergency driver wiring diagrams.

