

WARNING:

- This product must be installed in accordance with the applicable installation code by a person familiar with the construction and operation of the product and the hazards involved.
- Make sure all electrical power is turned off while installing the fixture.
- This luminaire must be adequately grounded for protection against shock hazards and to assure proper operation.
- Disconnect power before servicing.
- LEDs are ESD (Electro Static Discharge) sensitive devices that can be easily damaged if the proper ESD mitigating steps are not taken.
- LEDs are very sensitive to mechanical damage. Caution must be taken to avoid damage to the LEDs.
- ESD or mechanical damage voids all warranties.
- Suitable for dry and damp locations.

TABLE OF CONTENTS

A. GRID CEILING T-BAR INSTALLATION.....	1	D. ROW ALIGNER INSTALLATION.....	4
B. SLOTTED T-BAR INSTALLATION.....	2	E. REMOTE BOX INSTALLATION.....	4
C. SURFACE MOUNT INSTALLATION.....	3	F. WIRING DIAGRAM.....	5

A. GRID CEILING T-BAR INSTALLATION

FOR USE WITH WB OR NB T-BAR BRACKET

STEP 1: Bracket installation.

- A. See chart below for recommended bracket spacing per each fixture length.

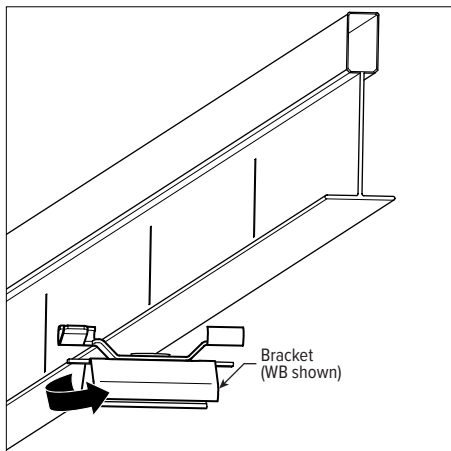
FIG A.1.1

BRACKET SPACING	
2'	(2) Brackets 14" apart
4'	(2) Brackets 36" apart
6'	(3) Brackets: (1) in center (2) 24" from center
8'	(4) Brackets 24" apart

- B. Align bracket to T-bar as shown (FIG A.1.2).

NOTE: Brackets must be parallel or aligned to each other for proper fixture installation.

FIG A.1.2



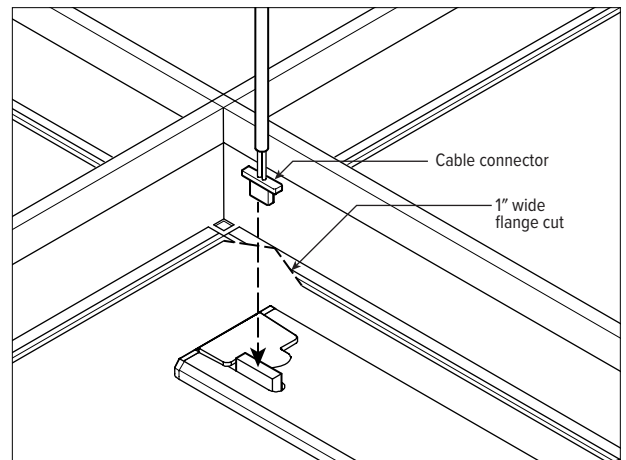
- C. Install bracket to ceiling T-bar. Push up and rotate bracket counter-clockwise until it positively locks in place onto T-bar and will not move. Bracket removal is required to change position.

STEP 2: Make electrical connections.

(See "Wiring Diagram" on page 4)

- A. For 15/16" T-bar only: Cut bottom flange 1" wide as shown (FIG A.2.1) for fixture cable connection clearance.
- B. Connect cable. Note: cable connection is "keyed". Proper alignment is required. Press on ends of the cable connector and pull upward to remove.

FIG A.2.1



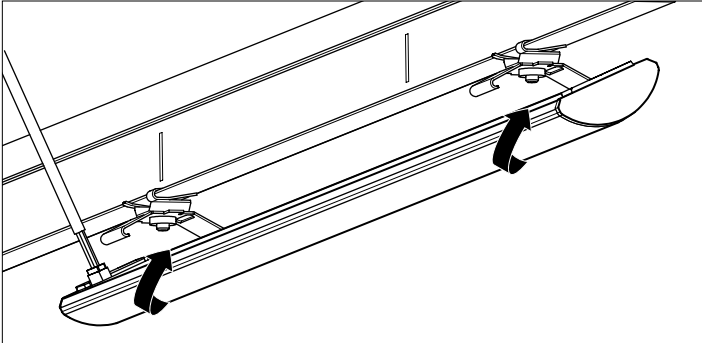
SL LED

INSTALLATION INSTRUCTIONS

STEP 3: Fixture installation.

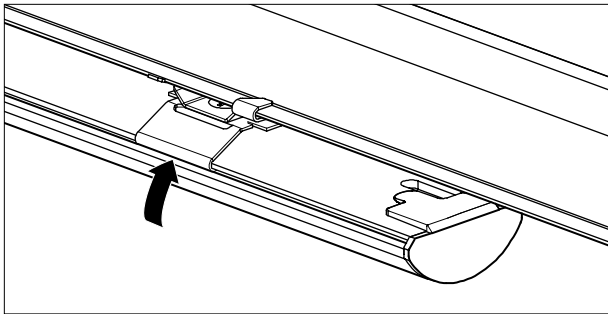
- A. Insert fixture mounting channel onto the mounting brackets.

FIG A.3.1



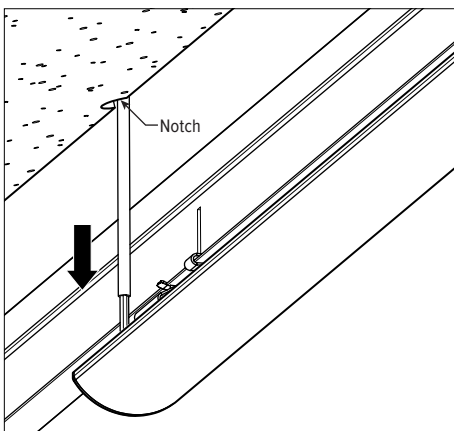
- B. Push fixture back and up to secure bracket into the channel above lens. Make certain fixture is secured into mounting brackets.

FIG A.3.2



- C. Lower ceiling panel onto grid flange. Notch ceiling panel for cable clearance, if needed.

FIG A.3.3



B. SLOTTED T-BAR INSTALLATION

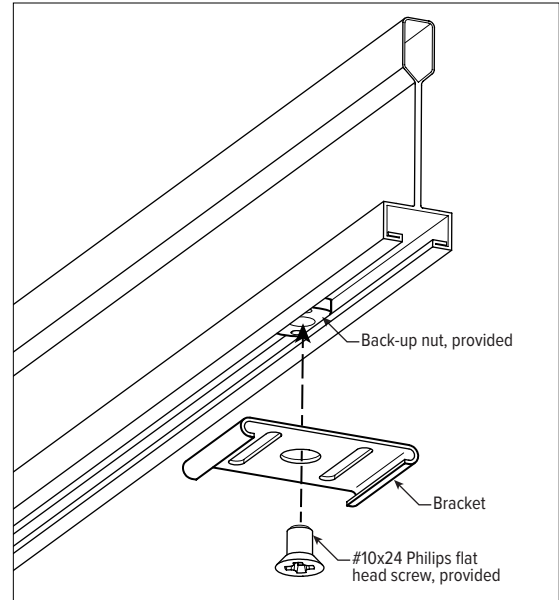
FOR USE WITH SB SLOTTED T-BAR BRACKET

STEP 1: Bracket installation.

- A. See FIG A.1.1 on page 1 for recommended bracket spacing per each fixture length.

NOTE: Brackets must be parallel or aligned to each other for proper fixture installation.

FIG B.1.1



- B. Slip back-up nut into slot.

- C. Fasten bracket with provided screw.

STEP 2: Follow grid ceiling T-bar installation STEPS 2 – 3

SL LED

INSTALLATION INSTRUCTIONS

C. SURFACE MOUNT INSTALLATION

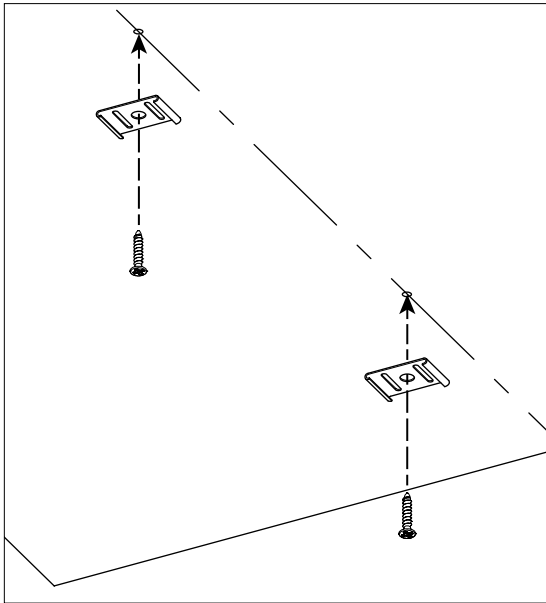
FOR USE WITH SM CLIP

NOTE: The surface mount bracket requires (1) #10 flat head screw per bracket. Installer must use hardware (by others) to satisfy the requirements of different substrate types (examples: wood, metal, drywall, masonry) and meet local codes if required.

STEP 1: Bracket installation.

- A. See FIG A.1.1 on page 1 for recommended bracket spacing per each fixture length.

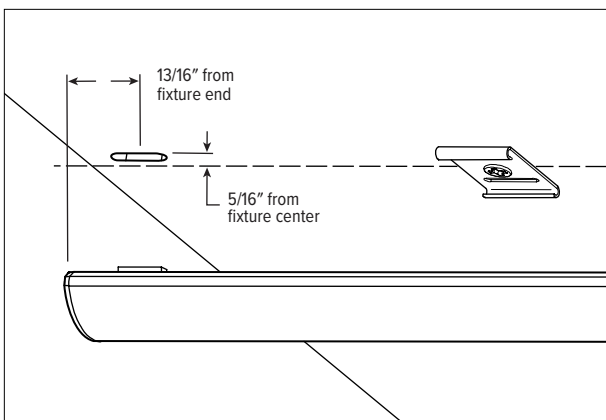
FIG C.1.1



STEP 2: Cable access.

- A. Option 1: Slot – (preferred - will be less noticeable for finished install). Use 1/4" drill bit as required to make 3/4" long slot shape. See FIG C.2.1

FIG C.2.1

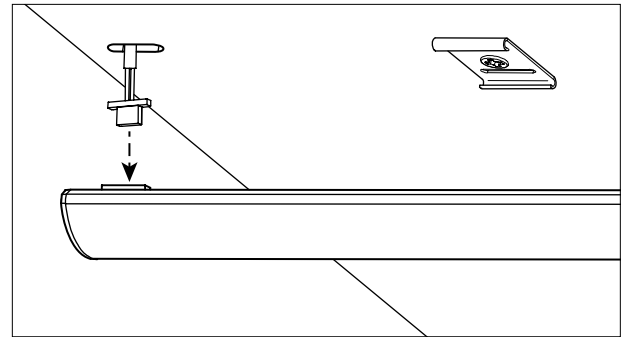


- B. Option 2: Hole – drill through with 3/4" drill bit.

STEP 3: Make electrical connections. (See "Wiring Diagram" on page 4)

- A. Connect cable. Note: cable connection is "keyed". Proper alignment is required. Press on ends of the cable connector and pull upward to remove.

FIG C.3.1



STEP 4: Fixture installation.

- A. Align groove in fixture to mate with one side of mounting clips at a slight angle.
- B. Align cable to access hole.
- C. Rotate fixture to surface. Force is required to expand clip and secure (snap) in place. Verify attachment.

SL LED

INSTALLATION INSTRUCTIONS

D. ROW ALIGNER INSTALLATION

FOR USE WHEN MOUNTING IN ROWS

NOTE: Feeder fixture provided with two end caps, packed with unit.

STEP 1: Install row aligner lens film: Fold down both ends and both sides.

FIG D.1.1

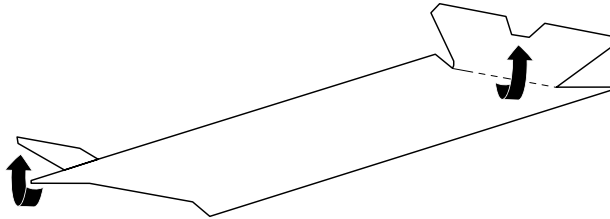
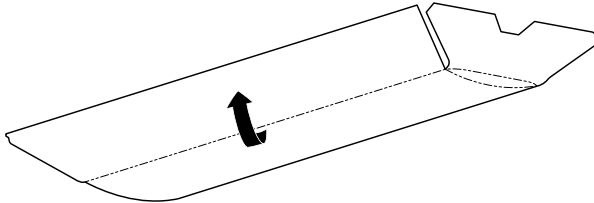
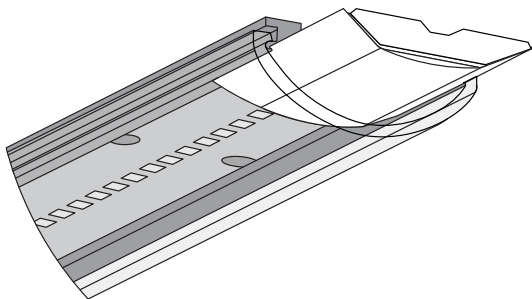


FIG D.1.2



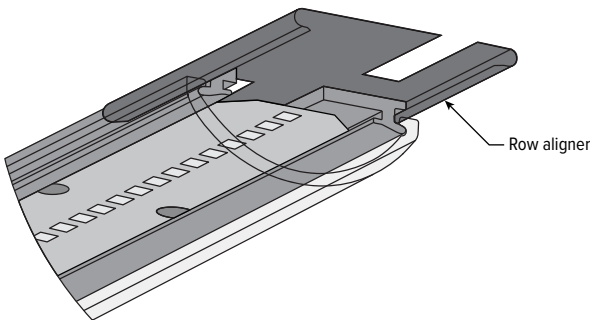
STEP 2: Hold shape and insert into housing to the mid-point.

FIG D.2.1



STEP 3: Install row aligner: Insert into bottom groove of channel and stop at the mid-point.

FIG D.3.1



STEP 4: Install next fixture in row.

E. REMOTE BOX INSTALLATION

FOR USE WITH REMOTE DRIVER AND/OR REMOTE EMERGENCY BATTERY

NOTE:

- Install remote box in accordance with NEC and local codes.
- Incoming wire connections and fixture connections must be kept separate within the remote box.
- Fixtures are equipped with 10' plenum-rated cables. 20' length available, see spec sheet for details. Driver box mounting location to be within fixture cable reach.

STEP 1: Secure remote box with (4) screws (by others) using the mounting holes inside the box.

STEP 2: Make electrical connections.

- Attach incoming power to box as required. For emergency battery only: connect EM unswitched power.
- Feed the fixture cables (provided) through the strain relief on side of box.
- Attach incoming ground wire to ground wire in box. Make all other connections as required.

FIG E.2.1

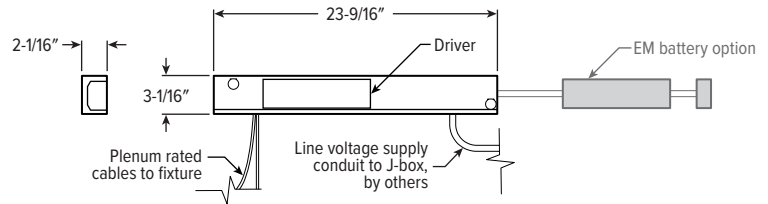
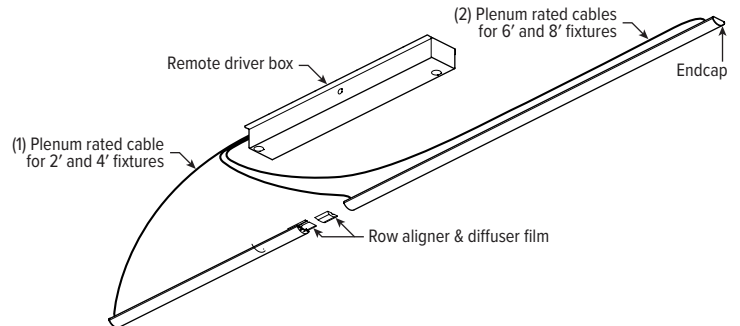


FIG E.2.2 Continuous Row Assembly



F. WIRING DIAGRAM

Driver/power supply disconnects accept #12 – #16 AWG stranded or solid wire. Attach power supply and ground wires using UL listed wire connectors. Please consult factory for other driver configurations or emergency driver wiring diagrams.

