

# PTR LED SERIES

## INSTALLATION INSTRUCTIONS



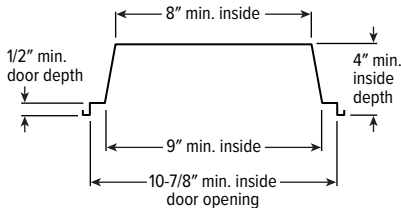
### WARNING:

- This product must be installed in accordance with the applicable installation code by a person familiar with the construction and operation of the product and the hazards involved.
- The retrofit kit is accepted as a component of luminaire where the suitability of the combination shall be determined by CSA or authorities having jurisdiction.
- **WARNING:** Risk of fire or electric shock. Luminaire wiring and electrical parts may be damaged when drilling for installation of LED retrofit kit. Check for enclosed wiring and components.
- **WARNING:** Risk of fire or electric shock. LED Retrofit Kit installation requires knowledge of luminaires electrical systems. If not qualified, do not attempt installation. Contact a qualified electrician.
- **WARNING:** To prevent wiring damage or abrasion, do not expose wiring to edges of sheet metal or other sharp objects.
- **WARNING:** Risk of fire or electric shock. Install this kit only in the luminaires that have the construction features and dimensions shown in the photographs and/or drawings and where the input rating of the retrofit kit does not exceed the input rating of the luminaire.
- **WARNING:** Do not make or alter any open holes in an enclosure of wiring or electrical components during kit installation.
- Only those open holes indicated in the photographs and/or drawings may be made or altered as a result of kit installation. Do not leave any other open holes in an enclosure of wiring or electrical components.
- Make sure all electrical power is turned off while installing the fixture.
- Disconnect power before servicing.
- This luminaire must be adequately grounded for protection against shock hazards and to assure proper operation.
- LEDs are ESD (Electro Static Discharge) sensitive devices that can be easily damaged if the proper ESD mitigating steps are not taken.
- LEDs are very sensitive to mechanical damage. Caution must be taken to avoid damage to the LEDs.
- ESD or mechanical damage voids all warranties.
- Suitable for dry and damp locations.

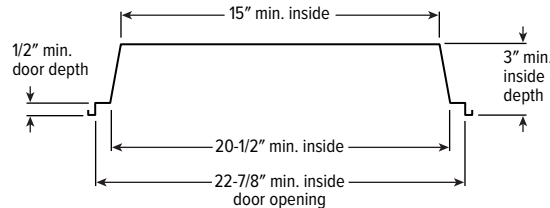
**NOTE:** The PTR retrofit kit is designed to fit the following fixture housing dimensions. H.E. Williams, Inc. recommends a trial installation prior to purchasing full quantities.

### WIDTH

#### 1x4

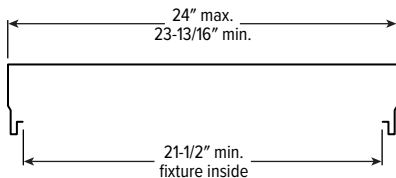


#### 2x2 | 2x4

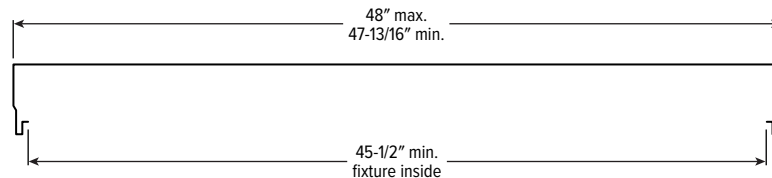


### LENGTH

#### 2x2



#### 1x4 | 2x4

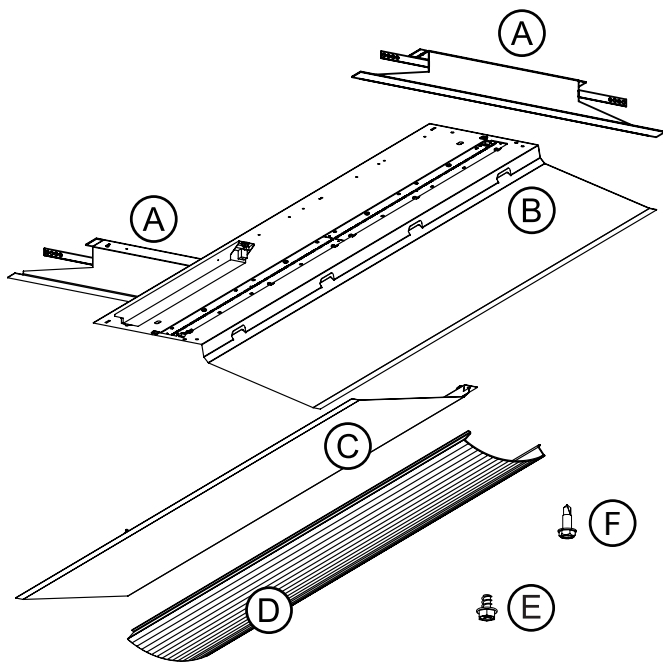


### PARTS LIST:

- (2) End plates.
- (1) Reflector assembly with driver and LED modules pre-wired.
- (1) Wireway cover/Reflector.
- (1) Frosted, ribbed acrylic lens.
- (5) #8 x 1/4" hex washer sheet metal screws.
- (2) #8 x 1/2" hex washer head self drilling sheet metal screws.

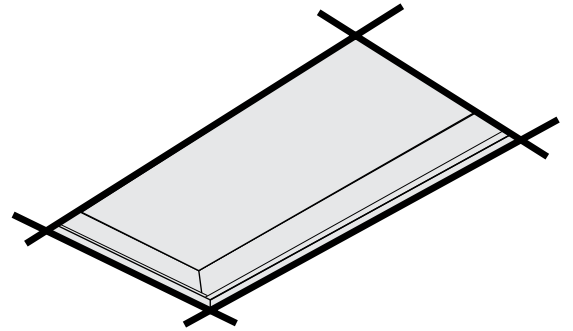
# PTR LED SERIES

## INSTALLATION INSTRUCTIONS



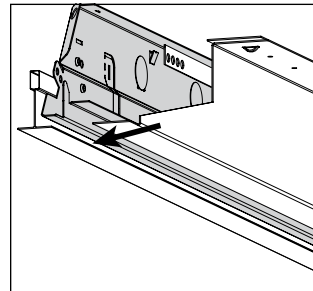
**STEP 1:** Shut off power to existing fixture.

**STEP 2:** Remove existing door/louver and wireway cover. Disconnect power supply wires to existing ballast. Remove all interior parts, including lamps, ballasts, and sockets. Dispose of according to state and local code requirements. Please recycle all reusable parts.

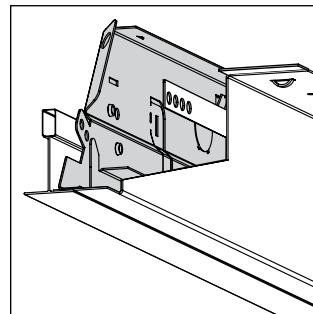


**STEP 3:** Install end plate assembly using the two steps illustrated below. Repeat steps at opposite end with the remaining end plate assembly.

**A.** Position end plate inside housing parallel to end of fixture and insert flange between T-grid and existing housing.



**B.** Flange shown properly located between T-grid and existing housing.

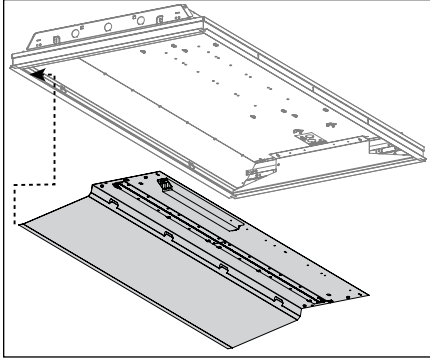


# PTR LED SERIES

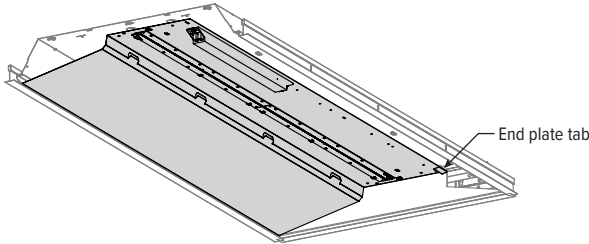
## INSTALLATION INSTRUCTIONS

**STEP 4:** Install Reflector Assembly with driver using the three steps illustrated below.

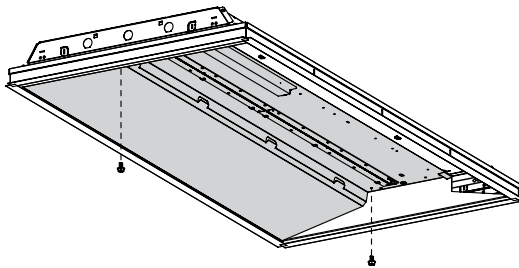
- A.** Position Reflector inside housing parallel to side of fixture and insert flange between T-grid and existing fixture housing.



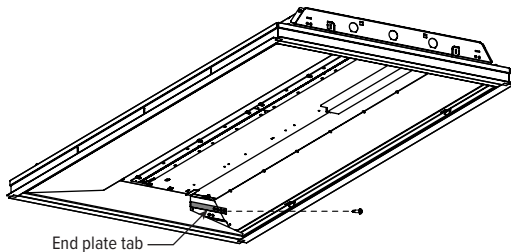
- B.** Bend end plate tab over reflector to help hold the reflector in place. Flange shown properly located between T-grid and existing fixture housing.



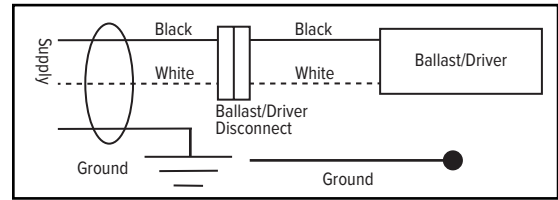
- C.** Attach reflector to End Plates with screw (E) from parts list. End Plates may require re-adjustment for screw holes to align properly.



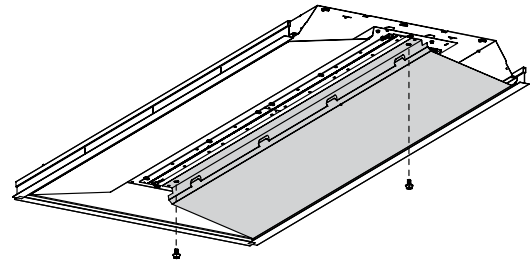
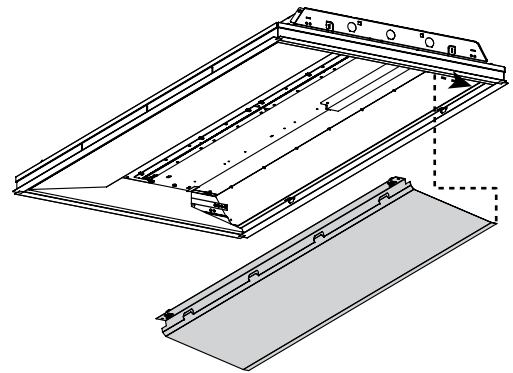
- D. OPTIONAL STEP:** Long tab on end plate may be bent back towards end plate of existing housing and then fastened to the existing housing with screw (G) from parts list. This step can be done to mechanically secure the retrofit kit to the existing housing.



**STEP 5:** Ballast disconnect accepts #12 - #16 AWG stranded or solid wire.



**STEP 6:** Install wireway cover/reflector. Position wireway cover inside housing parallel to opposite side of fixture and insert flange between T-grid and existing fixture housing.

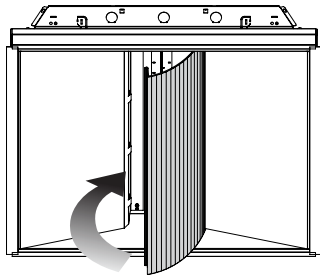
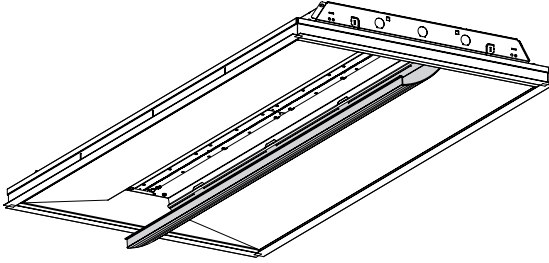


Attach with screws (E) from parts list.

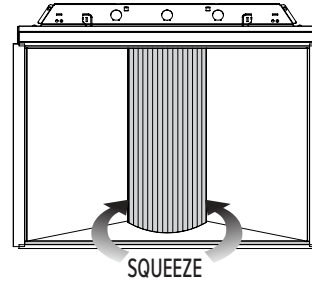
# PTR LED SERIES

## INSTALLATION INSTRUCTIONS

**STEP 7:** Install acrylic diffuser. Insert one edge of diffuser in slots provided in door. Gently squeeze the diffuser and insert second edge into slots provided on opposite side.



**STEP 8:** To remove acrylic diffuser for future service, gently squeeze the diffuser to release flange from slots.



**STEP 9:** PTR retrofit kit fully installed.

