

LRXG | LRXN SERIES

INSTALLATION INSTRUCTIONS



WARNING:

- This product must be installed in accordance with the applicable installation code by a person familiar with the construction and operation of the product and the hazards involved.
- Make sure all electrical power is turned off while installing the fixture.
- This luminaire must be adequately grounded for protection against shock hazards and to assure proper operation.
- Disconnect power before servicing.
- LEDs are ESD (Electro Static Discharge) sensitive devices that can be easily damaged if the proper ESD mitigating steps are not taken.
- LEDs are very sensitive to mechanical damage. Caution must be taken to avoid damage to the LEDs.
- ESD or mechanical damage voids all warranties.
- Suitable for dry or damp locations.

FOR USE WITH:

- | | | | |
|---------|---------|---------|---------|
| ▪ LRX2G | ▪ LRX3G | ▪ LRX4G | ▪ LRX5G |
| ▪ LRX2N | ▪ LRX3N | ▪ LRX4N | ▪ LRX5N |

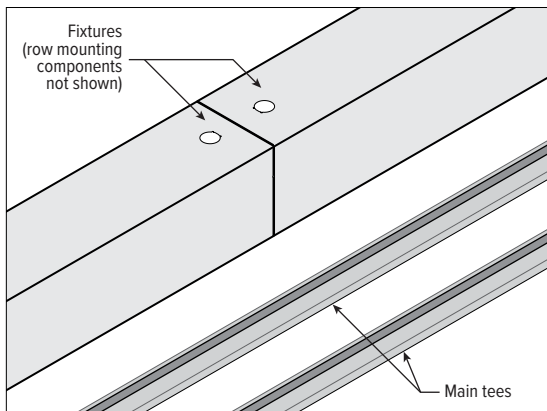
TABLE OF CONTENTS

CEILING PREPARATION TIP.....	1	FIXTURE MOUNTING.....	2
FIXTURE PREPARATION.....	1		

CEILING PREPARATION TIP

STEP 1: For projects with continuous runs greater than 8' in length, we suggest framing sides of ceiling opening with main tees.

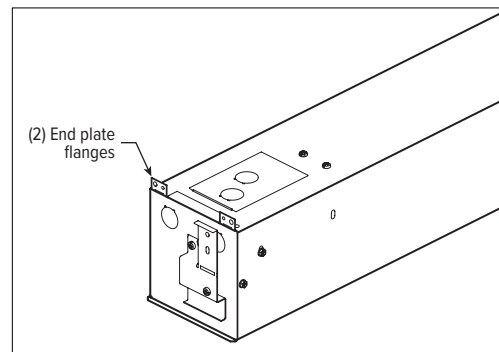
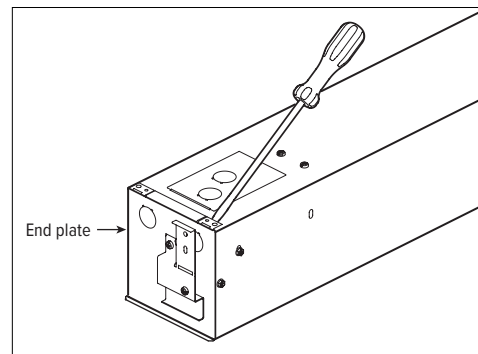
FIG 1.1



FIXTURE PREPARATION

STEP 2: Use a flat blade screwdriver to pry end plate flanges upward 90°. Use holes on these flanges for wire tire installation.

FIG 2.1 LRX4G shown



STEP 3: Remove lenses from fixture(s)

LRXG | LRXN SERIES

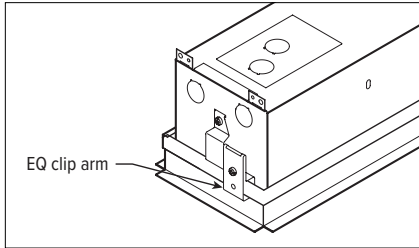
INSTALLATION INSTRUCTIONS

FIXTURE MOUNTING

STEP 4: Install the first fixture (stand-alone fixture or feeder fixture) in row mount application.

- A. Raise the fixture into position and secure using end plate suspension holes for wire ties.
- B. LRXG only: Remove extra screw from EQ Clip. Bend EQ Clip arm down and fasten to body with screw. DO NOT OVERTIGHTEN.

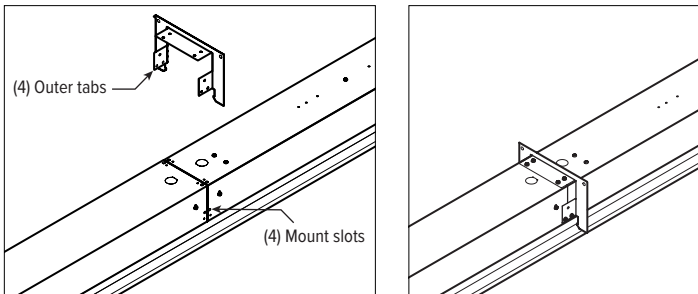
FIG 4.1 LRX4G shown



STEP 5: Install next fixture in row mount application (joiner fixture or ender fixture).

- A. Make electrical connections between fixtures with quick connect wiring harness and then slide fixtures together. Install joiner bracket at fixture intersection and secure with provided screws.

FIG 5.1

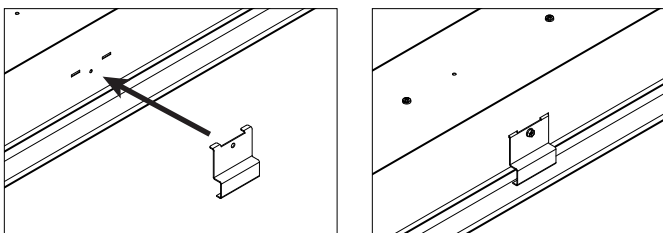


STEP 6: For fixtures 5' and greater in length, install joiner bracket for each join and in the center of each fixture. Holes on bracket can be used for additional wire tie installation if needed.

STEP 7: Repeat Step 5 and Step 6 for each additional fixture in row. Repeat earthquake clip fastening process on ender fixture.

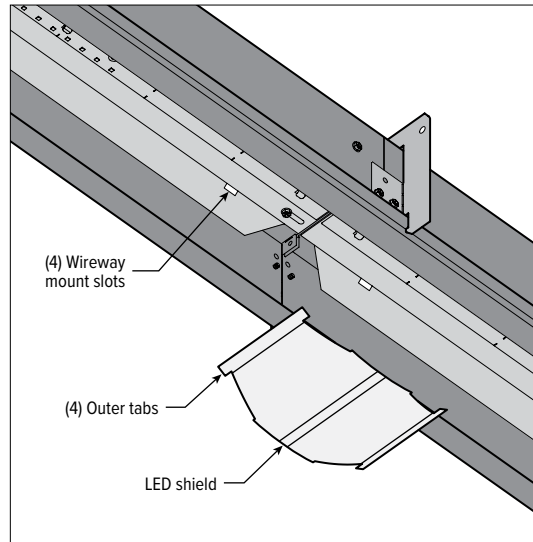
STEP 8: LRXN only: Install EQ Clips to sides of fixture with provided screws.

FIG 8.1 LRX4N shown



STEP 9: To prevent light leak, install LED shield at fixture intersection(s) by snapping (4) outer tabs into (4) wireway cover mount slots at all fixture intersections.

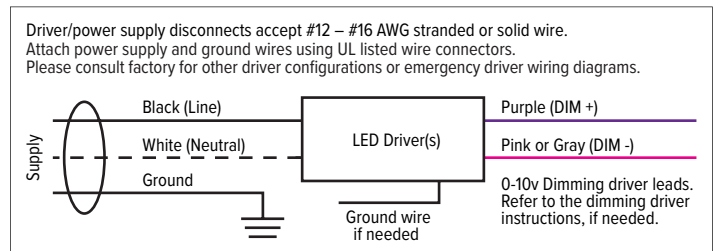
FIG 9.1



STEP 10: Reinstall lenses.

STEP 11: Remove access plate on the back of the stand-alone or feeder fixture. Remove driver supply wires and make electrical connections in accordance with NEC and local codes (ground screw provided on access plate).

FIG 11.1



STEP 12: Re-install access plate.