

GA SERIES

INSTALLATION INSTRUCTIONS



WARNING:

- This product must be installed in accordance with the applicable installation code by a person familiar with the construction and operation of the product and the hazards involved.
- Make sure all electrical power is turned off while installing the fixture.
- This luminaire must be adequately grounded for protection against shock hazards and to assure proper operation.
- Disconnect power before servicing.
- LEDs are ESD (Electro Static Discharge) sensitive devices that can be easily damaged if the proper ESD mitigating steps are not taken.
- LEDs are very sensitive to mechanical damage. Caution must be taken to avoid damage to the LEDs.
- ESD or mechanical damage voids all warranties.
- Suitable for dry and damp locations.

TABLE OF CONTENTS

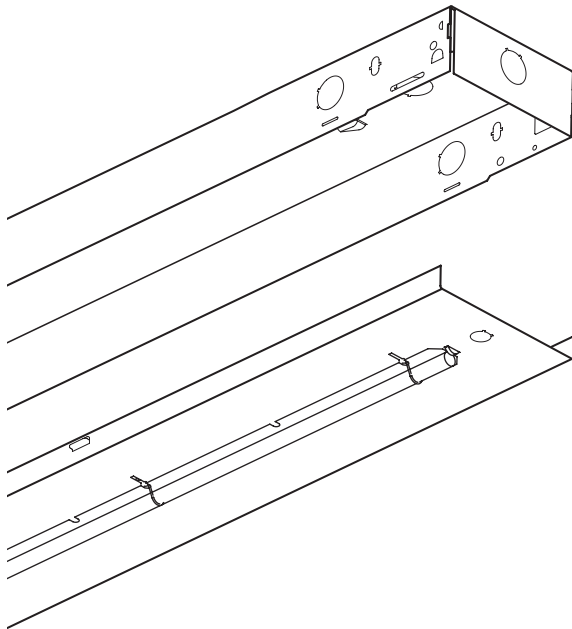
A. GENERAL MOUNTING	1	C. SPACER BRACKET INSTALLATION.....	2
B. VBY HANGER INSTALLATION.....	2	D. ROW ALIGNER INSTALLATION	2

A. GENERAL MOUNTING

STEP 1: Remove wireway cover from the fixture:

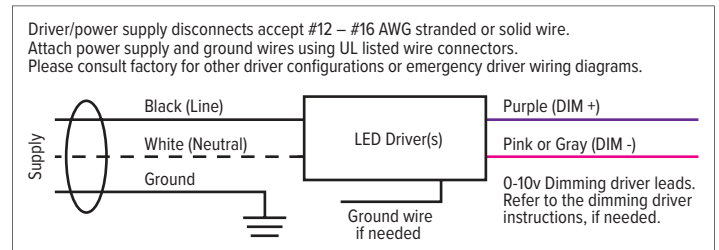
- Locate (4) tabs on the fixture wire-way cover (LED board plate).
- Pry between the wire-way cover and housing to disengage the tabs.
- Disconnect LED arrays (if required) to detach the wire-way cover.

FIG A.1.1



STEP 2: Use knockout locations embossed in the fixture housing to bring incoming power into the fixture. Make electrical connections in accordance with NEC and local codes.

FIG A.2.1 Make electrical connections in accordance with NEC and local codes.



STEP 3: Reassemble the fixture by reversing the steps above. Secure fixture to ceiling using adequate hardware, by others.

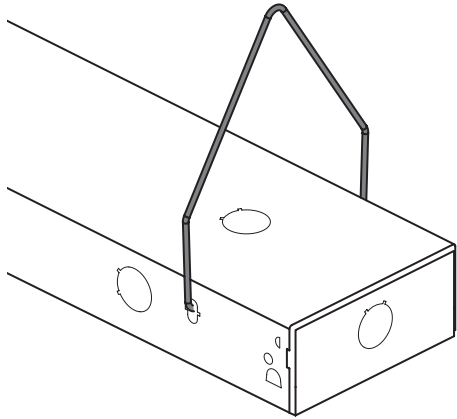
GA SERIES

INSTALLATION INSTRUCTIONS

B. VBY HANGER INSTALLATION

Remove the oblong KO's at both ends of the fixture, then snap in both sides of the VBY. Attach VBY hanger to cable or chain (by others) adequately secured to ceiling structure. FIG B.3.1

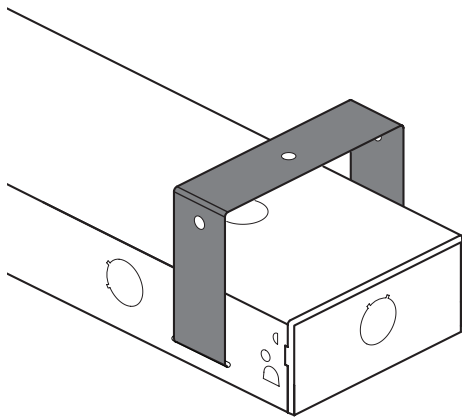
FIG B.3.1



C. SPACER BRACKET INSTALLATION

Secure spacer to ceiling using adequate hardware (by others). Snap the channel into the brackets before reattaching the wire-way cover. See FIG C.3.2

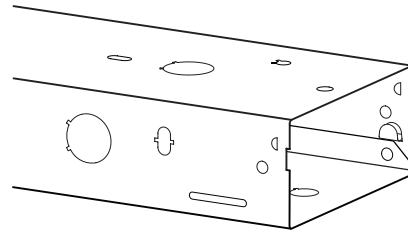
FIG C.3.2



D. ROW ALIGNER INSTALLATION

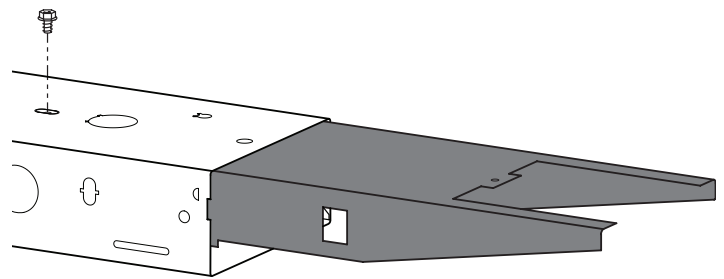
STEP 1: Remove fixture end plate.

FIG D.1.1



STEP 2: Insert RA-GA and secure with (1) screw

FIG D.2.1



STEP 3: Remove end plate from adjoining fixture. Electrical connections can be made using the optional quick-connect wiring harness. Insert fixture onto RA-GA. Once fully seated, insert screw into adjoining fixture and into RA-GA.

FIG D.3.1

