

EGL2 SERIES

INSTALLATION INSTRUCTIONS



WARNING:

- This product must be installed in accordance with the applicable installation code by a person familiar with the construction and operation of the product and the hazards involved.
- Make sure all electrical power is turned off while installing the fixture.
- This luminaire must be adequately grounded for protection against shock hazards and to assure proper operation.
- Disconnect power before servicing.
- LEDs are ESD (Electro Static Discharge) sensitive devices that can be easily damaged if the proper ESD mitigating steps are not taken.
- LEDs are very sensitive to mechanical damage. Caution must be taken to avoid damage to the LEDs.
- ESD or mechanical damage voids all warranties.
- Suitable for wet locations.

TABLE OF CONTENTS

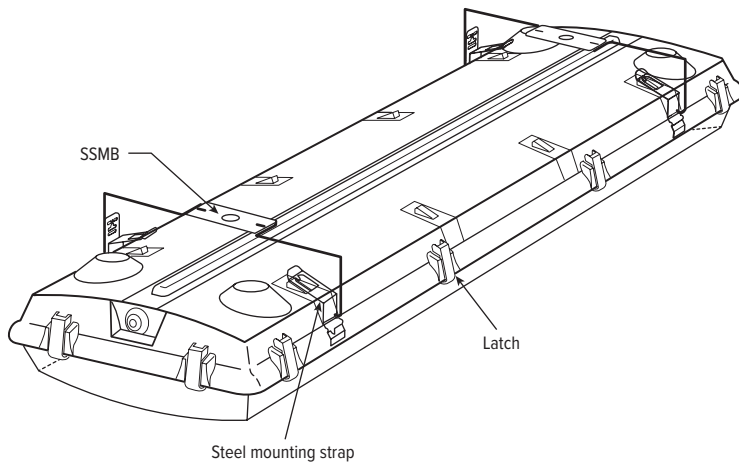
PARTS NUMBERS.....	1	WIRING DIAGRAM.....	2
INSTALLATION.....	2		

PARTS NUMBERS

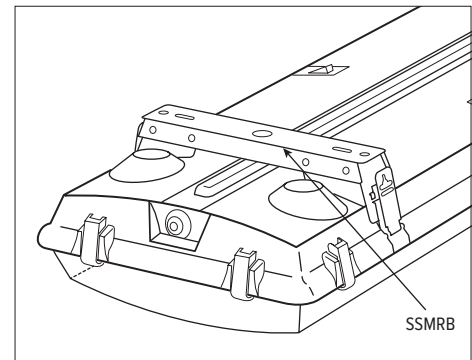
- SSMB – 92023318 | 60970013 (SLP# CT4-CM 1.25-20)
- Stainless steel mounting strap – 92028863 | 60971004 (SLP# CT4I-MS-SS)
- SSMRB (Stainless steel) – 92028692 | 60971006 (SLP# CT4I-MB-SS)
- SSMRB (Zinc plated) – 92033805 | 60971007 (SLP# CT4I-MB-ZP)
- Secure locking plastic latch – 92029230 | 60971003 (SLP# CT4I-LATCHW)
- Stainless steel latch – 92028954 | 60971002 (SLP# CT4I-LATCHSS)

ENSURE THE LENS IS PROPERLY SEATED AND CENTERED IN THE GASKETED GROOVE PRIOR TO CLOSING THE LATCHES. FAILURE TO DO SO CAN RESULT IN DAMAGING THE LENS, LEADING TO LENS FAILURES THAT ARE NOT COVERED UNDER WARRANTY.

STANDARD MOUNTING



OPTIONAL MOUNTING



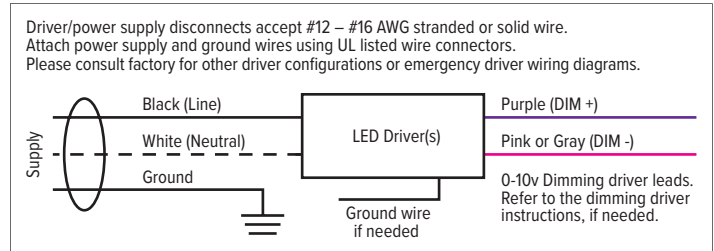
EGL2 SERIES

INSTALLATION INSTRUCTIONS

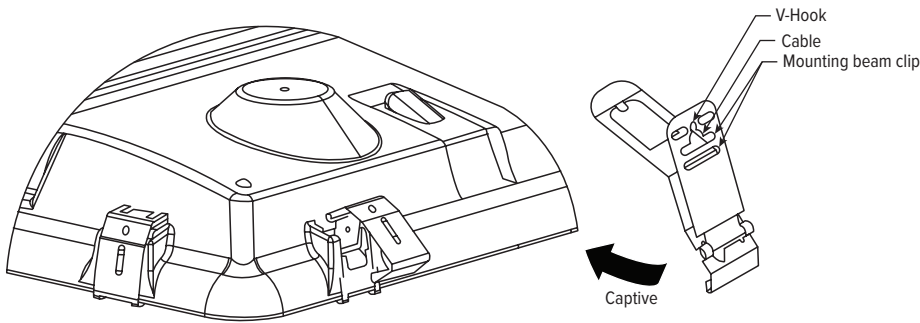
INSTALLATION

- NOTE:** This enclosure is suitable for surface mount, chain mount or pendant mount.
- STEP 1:** Remove the plastic lens cover by unlocking the latches on the sides of the fiberglass enclosure.
- STEP 2:** Remove the reflector.
- STEP 3:** Connect the main wires to the fixture line wire using UL approved wire nuts. (Supply Wires with driver(s) Line wires, White with white, and Green with green). See WIRING DIAGRAM
- STEP 4:** Install the new fixture using the mounting brackets provided.
- STEP 5:** Turn on electricity at fuse or circuit breaker.

WIRING DIAGRAM

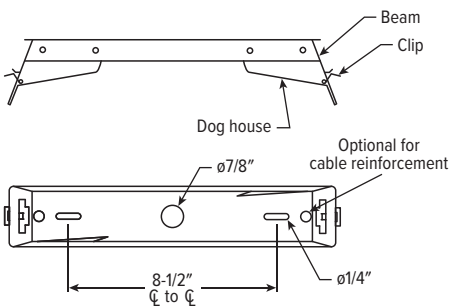


STAINLESS STEEL MOUNTING STRAP



The mounting strap come fully assembled. Simply press the base into the strap pocket, and guide the captive base over the edge of the housing.

MOUNTING BEAM



V-Hook

