

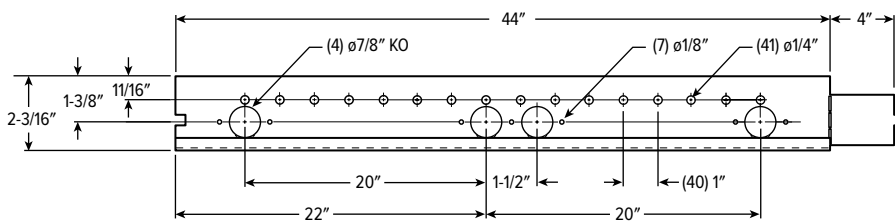
WARNING:

- This product must be installed in accordance with the applicable installation code by a person familiar with the construction and operation of the product and the hazards involved.
- Make sure all electrical power is turned off while installing the fixture.
- This luminaire must be adequately grounded for protection against shock hazards and to assure proper operation.
- Disconnect power before servicing.
- LEDs are ESD (Electro Static Discharge) sensitive devices that can be easily damaged if the proper ESD mitigating steps are not taken.
- LEDs are very sensitive to mechanical damage. Caution must be taken to avoid damage to the LEDs.
- ESD or mechanical damage voids all warranties.
- Suitable for dry and damp locations.

TABLE OF CONTENTS

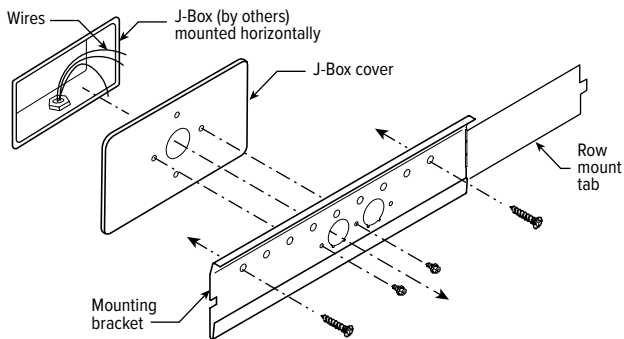
A. STAND-ALONE ASSEMBLY	1	WIRING DIAGRAM.....	3
B. ROW MOUNT ASSEMBLY	2		

FIG 1.1.1 Backview



A. STAND-ALONE ASSEMBLY

FIG A.1.2 J-box installation



STEP 1: For best appearance and ease of installation, mount a 2" x 4" J-box HORIZONTALLY at each power feed location.

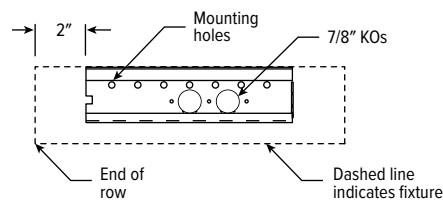
The J-box with power feed should be mounted at fixture height so it will be concealed when the fixture is installed.

If attaching to an existing vertical J-box, the J-box cover will rotate 90° to cover the J-box, but will be visible below fixture.

STEP 2: Attach J-box cover to mounting bracket with two 8-32 x 3/8" hex head Phillips screws (provided). With J-box cover attached, level and secure mounting bracket to wall. Break off row mount tab when installing stand-alone assembly. **First mounting bracket starts 2" inside end of row of fixtures.** See FIG A.2.1 Position so that J-box cover completely encloses the J-box and any mounting holes will align with wall studs, if possible.

- Use hardware appropriate for surface to which you are mounting (hardware by others).
- Feed wires through J-box cover and wall mount bracket. Leave wire leads at least half as long as fixture to be installed.

FIG A.2.1 Mounting bracket installation



STEP 3: Temporarily hang fixture from bottom of bracket to help facilitate wiring. Wires will feed through the notch at back of fixture to clear bracket. FIG A.3.1

FIG A.3.1

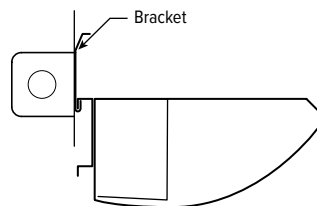


FIG A.3.2

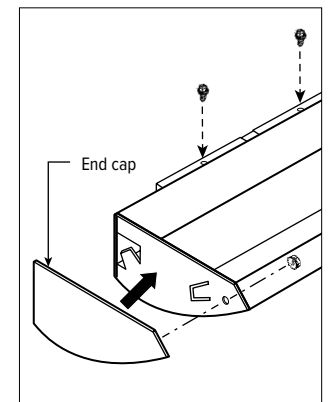
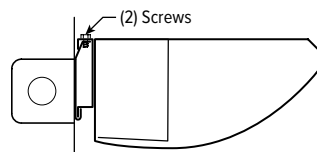


FIG A.3.3



STEP 4: After connecting wires, hang fixture on bracket. FIG A.3.3. Both top and bottom of fixture lock securely, and all wires are enclosed between fixture and wall bracket. See "WIRING DIAGRAM" on page 3.

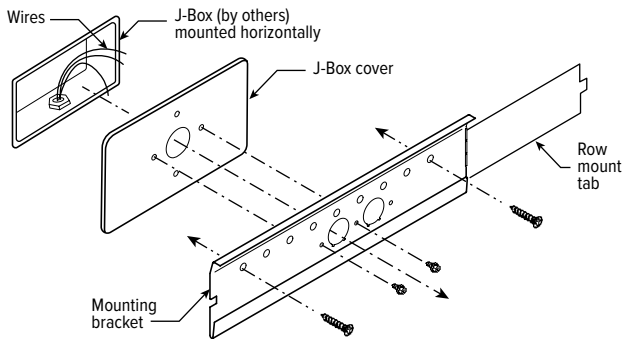
Install (2) 8-32 hex head Phillips screws (provided) to secure fixture to mounting bracket. Install (1) 10-32 flange nut (provided) to attach end cap. FIG A.3.2

AIW LED

INSTALLATION INSTRUCTIONS

B. ROW MOUNT ASSEMBLY

FIG B.4.1 J-box installation



STEP 1: For best appearance and ease of installation, mount a 2" x 4" J-box HORIZONTALLY at each power feed location.

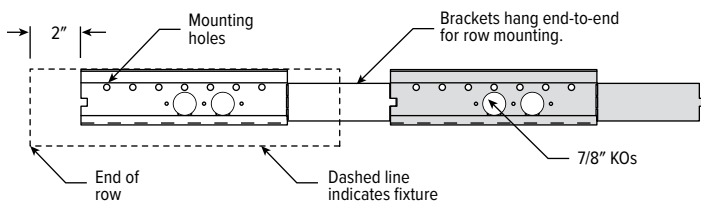
The J-box with power feed should be mounted at fixture height so it will be concealed when the fixture is installed.

If attaching to an existing vertical J-box, the J-box cover will rotate 90° to cover the J-box, but will be visible below fixture.

STEP 2: Attach J-box cover to mounting bracket with two 8-32 x 3/8" hex head Phillips screws (provided). With J-box cover attached, level and secure mounting bracket to wall. **First mounting bracket starts 2" inside end of row of fixtures.** Position so that J-box cover completely encloses the J-box and any mounting holes will align with wall studs, if possible.

- Use hardware appropriate for surface to which you are mounting (hardware by others).
- Feed wires through J-box cover and wall mount bracket. Leave wire leads at least half as long as fixture to be installed.
- Use tab from first mounting plate to align subsequent mounting plate and secure to wall in same fashion. Repeat down the row. Break tab off of the last mounting plate in the row.

FIG B.2.1 Mounting bracket installation



STEP 3: Temporarily hang fixture from bottom of bracket to help facilitate wiring. Wires will feed through the notch at back of fixture to clear bracket. FIG B.3.1

FIG B.3.1

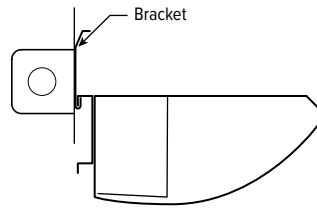


FIG B.3.2

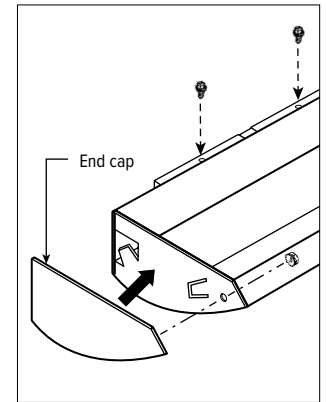
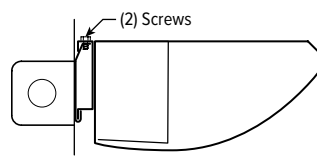


FIG B.3.3

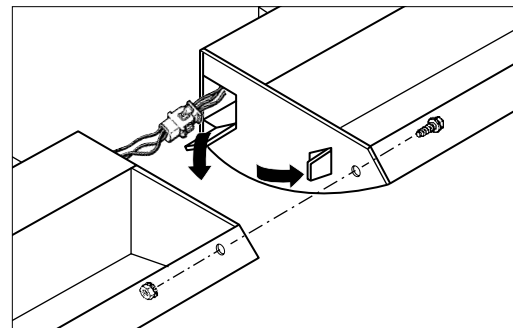


STEP 4: After connecting wires, hang fixture on bracket. FIG B.3.2. Both top and bottom of fixture lock securely, and all wires are enclosed between fixture and wall bracket. See "WIRING DIAGRAM" on page 3.

Install (2) 8-32 hex head Phillips screws (provided) to secure fixture to mounting bracket. Install (1) 10-32 flange nut (provided) to attach end cap. FIG B.3.3

STEP 5: Hang joiner/ender fixture from mounting bracket and plug quick-connect wires together before joining tabs and slots.

FIG B.5.1



- Bend tabs outward and interlock with slots in previous fixture to insure correct row alignment
- Attach adjacent fixtures with 10 - 32 x 3/8" screw (provided) through each end of fixture and flange nuts (provided)
- Repeat for each additional fixture in row.

STEP 6: Attach end cap to final (end) fixture in row with 10 - 32 flange nut with serrations (provided).

AIW LED

INSTALLATION INSTRUCTIONS

WIRING DIAGRAM

