

# 8DR LED SERIES

## INSTALLATION INSTRUCTIONS



**WARNING:**

- This product must be installed in accordance with the applicable installation code by a person familiar with the construction and operation of the product and the hazards involved.
- Make sure all electrical power is turned off while installing the fixture.
- This luminaire must be adequately grounded for protection against shock hazards and to assure proper operation.
- Disconnect power before servicing.
- LEDs are ESD (Electro Static Discharge) sensitive devices that can be easily damaged if the proper ESD mitigating steps are not taken.
- LEDs are very sensitive to mechanical damage. Caution must be taken to avoid damage to the LEDs.
- ESD or mechanical damage voids all warranties.
- Suitable for dry and damp locations. Suitable for wet location under covered ceiling when specified with WET/CC option.

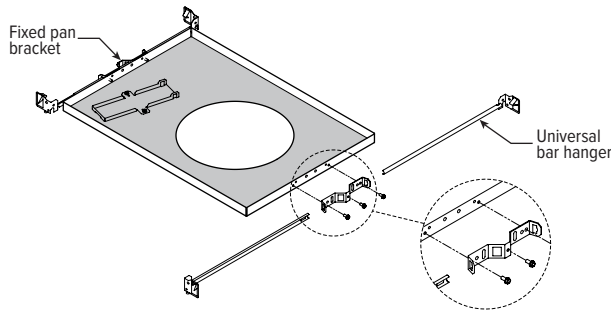
**TABLE OF CONTENTS**

MOUNTING PAN INSTALLATION.....	1	SCA TRIM INSTALLATION .....	3
ELECTRICAL CONNECTIONS .....	2	OPTIONAL REGRESSED TEST SWITCH INSTALLATION .....	4
JUNCTION BOX INSTALLATION.....	3	DOWNLIGHT INSERT INSTALLATION.....	5

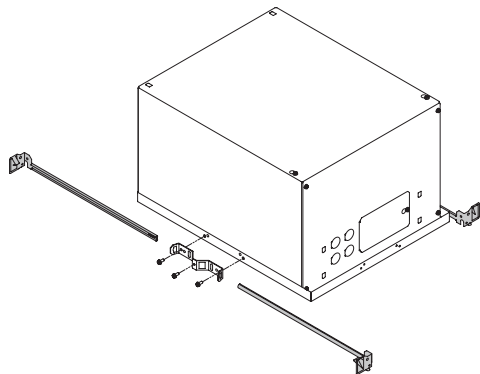
**MOUNTING PAN INSTALLATION**

**STEP 1:** Pre-attach the specified mounting hardware to the fixture pan. See FIG 1.1 - FIG 1.4.

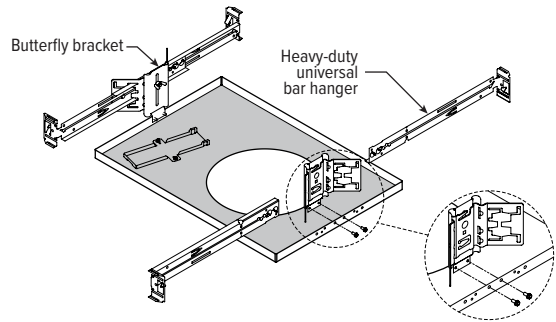
**FIG 1.1** Integral 2-position fixed pan bracket.  
F1: Universal bar hanger, shown: 14" min - 24" max



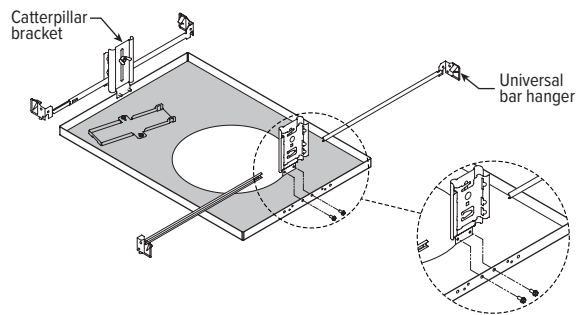
**FIG 1.2** 2-position fixed pan bracket with IC housing.



**FIG 1.3** Adjustable butterfly pan bracket.  
BA1: Butterfly bracket only.  
BA2: Heavy-duty universal bar hanger, shown: 12" min - 24" max



**FIG 1.4** Adjustable caterpillar pan bracket.  
CA1: Universal bar hanger, shown: 14" min - 24" max  
CA2: T-bar clip hanger: 11" min - 26" max



**MOUNTING PAN INSTALLATION CONTINUED ON NEXT PAGE.**

# 8DR LED SERIES

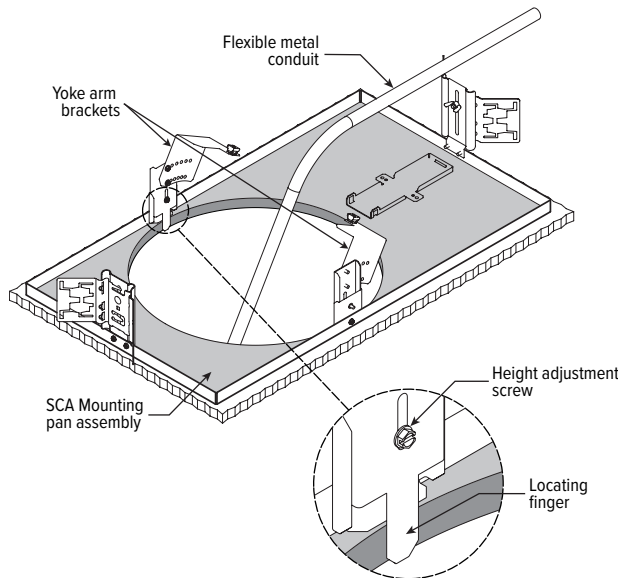
## INSTALLATION INSTRUCTIONS

### MOUNTING PAN INSTALLATION CONTINUED FROM PREVIOUS PAGE.

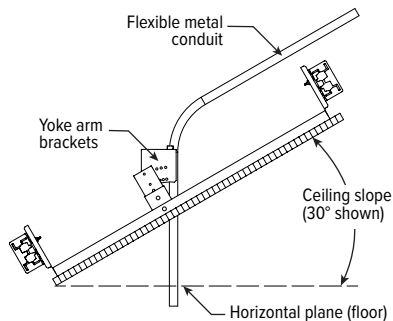
**STEP 2:** Install pan assembly as required for ceiling structure while aligning the pan aperture with the ceiling cutout (9-1/16" diameter).

**SCA INSTALLATION:** Install the SCA mounting pan with the driver box receiver located uphill from the ceiling cutout (14-3/8" diameter). Use the height adjustment screws to adjust the depth of the locating fingers so they are both flush with the ceiling plane. Securely tighten the height adjustment screws. See FIG 2.1. Orient yoke arm brackets parallel to the horizontal plane. See FIG 2.2

**FIG 2.1** SCA Installation.



**FIG 2.2** SCA Installation.



**STEP 3:** Route the flexible metal conduit containing all of the required power input and control leads to the pan location. Leave enough length for pulling at least one foot below the ceiling plane through the ceiling cutout.

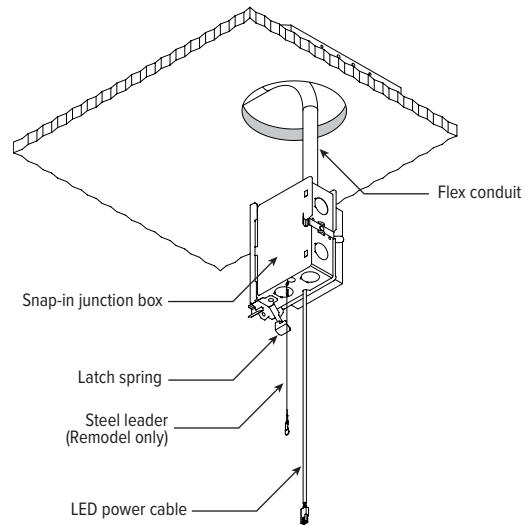
### ELECTRICAL CONNECTIONS

**STEP 4:** Connect driver box to conduit.

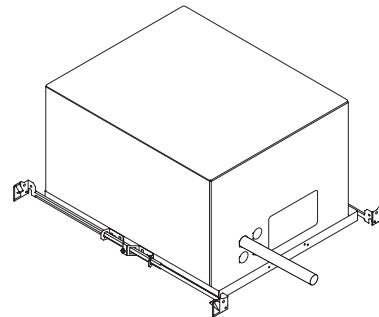
**A.** Pull the flexible conduit down through the ceiling cutout and connect the driver box via the small access cover. See FIG 4.1

**FOR IC MOUNTING ONLY:** Route supply conduit to the IC housing knockout and connect to the IC housing. See FIG 4.2

**FIG 4.1**



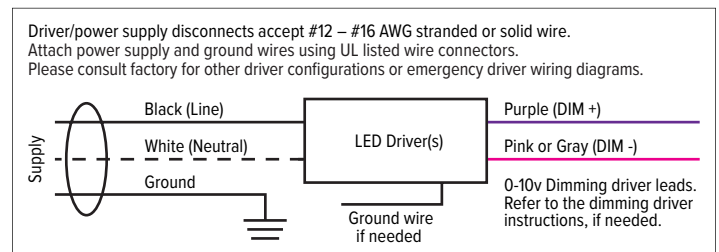
**FIG 4.2**



**B.** Make all necessary lead terminations within the junction box. Attach power supply and ground wires using UL listed wire connectors. Re-attach the access cover.

**NOTE:** The back panel of the driver box can be removed to assist with making lead terminations if needed.

**FIG 4.1**



# 8DR LED SERIES

## INSTALLATION INSTRUCTIONS

### NOTE: JUNCTION BOX INSTALLATION

STEP 5: Install junction box to mounting pan.

**A. FOR NEW CONSTRUCTION ONLY:** Maneuver the junction box up through the ceiling cutout, rotate down 90 degrees, then slide back in the receiver until it snaps in. See FIG 5.1

**FOR REMODEL ONLY:** Install junction box in ceiling plenum. Maneuver the junction box up through the ceiling cutout, place 2" from ceiling opening. See FIG 5.2

FIG 5.1

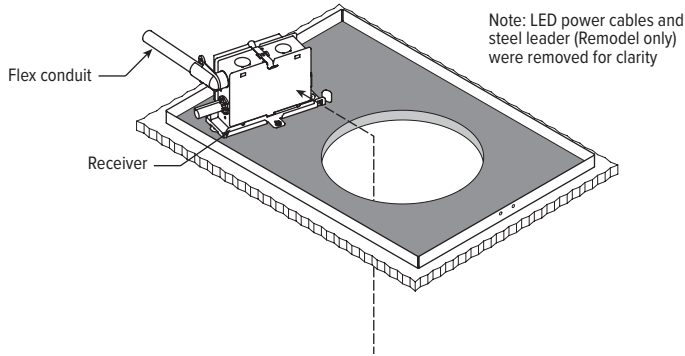
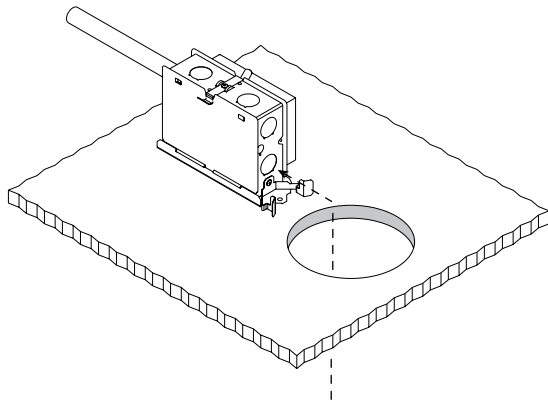


FIG 5.2



**B.** Pull the LED power cable and steel leader (Remodel only) down through the ceiling cutout so they are accessible for the downlight insert installation.

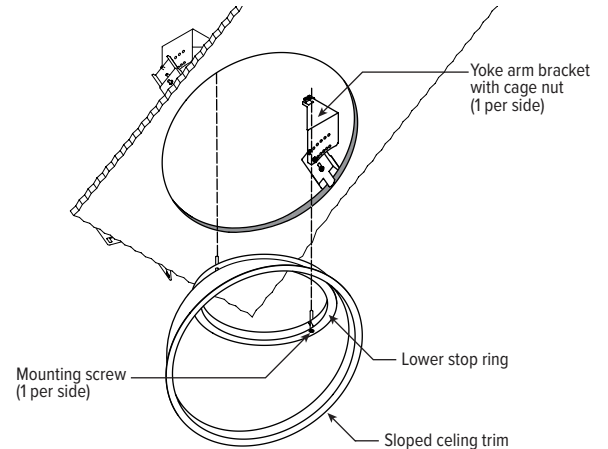
### SCA TRIM INSTALLATION

(SKIP TO STEP 8 FOR STANDARD CEILING INSTALLATION)

STEP 6: Orient and align sloped ceiling trim. Align the trim mounting screws (2x) with the pre-installed cage nuts located in the yoke arm brackets. See FIG 6.1

**NOTE:** The lower stop ring must run parallel with the yoke arm brackets.

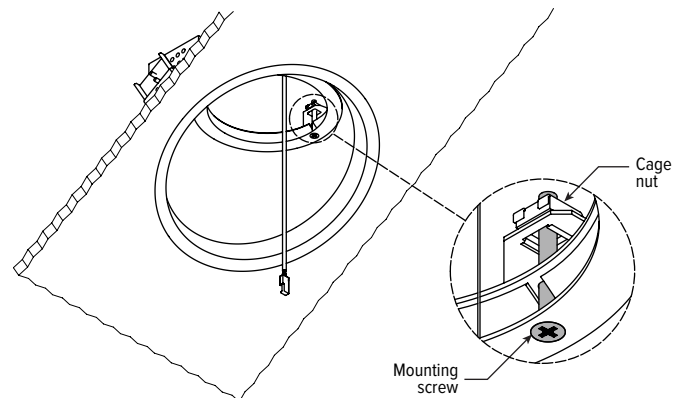
FIG 6.1



STEP 7: Install sloped ceiling trim.

- Lift the sloped ceiling trim up into the ceiling cutout so the mounting screws can engage the cage nuts.
- Tighten the screws until the trim flange has been drawn securely against the ceiling surface.
- Pull the LED power cable from the driver box down through the sloped ceiling so they are accessible for the downlight insert installation. See FIG 7.1

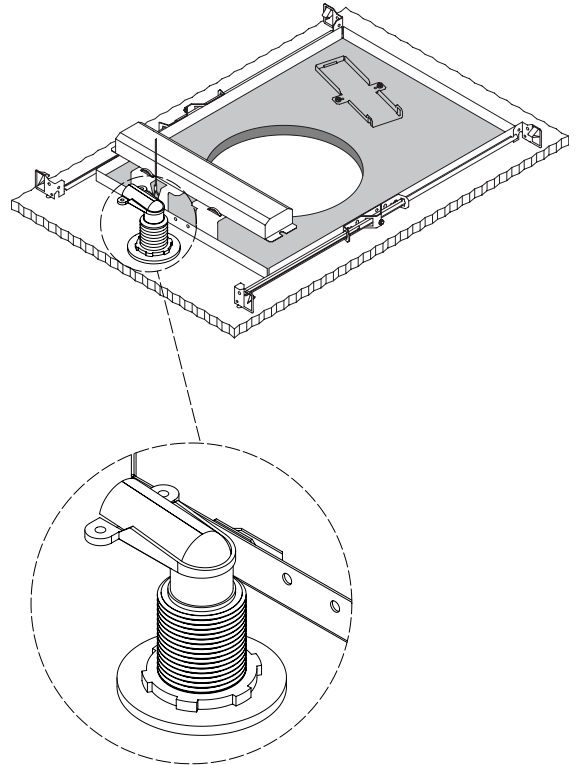
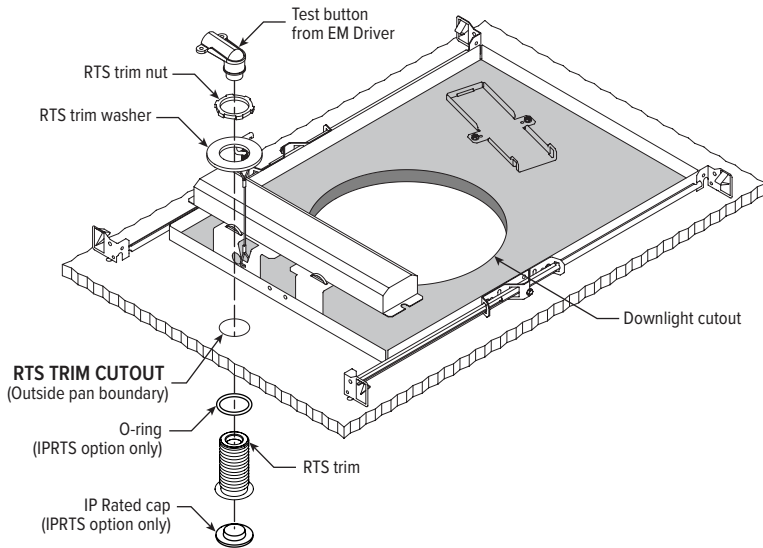
FIG 7.1



# 8DR LED SERIES

## INSTALLATION INSTRUCTIONS

### OPTIONAL REGRESSED TEST SWITCH INSTALLATION



**NOTE:** The RTS trim, nut and washer will be supplied as a kit that ships with each EM/\_W/RTS specified downlight. Kit also includes o-ring and IP rated cap when specified with EM/\_W/IPRTS option.

- A. Using a 1-3/8" hole saw, measure and drill the RTS trim cutout so that it is **located outside the pan boundary**.
- B. Push the RTS trim up through the RTS trim cutout, then hold it against the ceiling.
- C. Reaching through the downlight cutout, install the RTS washer and RTS nut to the RTS trim, leaving loose.
- D. Reaching through the downlight cutout, maneuver the test button onto the RTS trim. Rotate the RTS trim from below to secure it to the test button.
- E. To complete installation, tighten the RTS nut firmly against the RTS washer.

**NOTE:** If the ceiling surface in an IPRTS installation is too rough to be sealed properly by the o-ring, it is recommended to apply a bead of silicone caulking around the perimeter of the o-ring before installing the plug.

# 8DR LED SERIES

## INSTALLATION INSTRUCTIONS

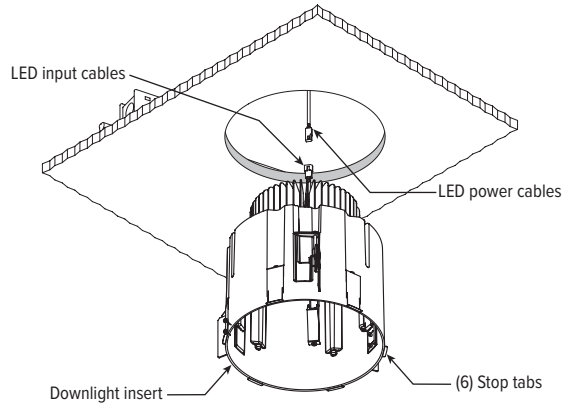
### DOWNLIGHT INSERT INSTALLATION

**STEP 8:** Connect downlight insert to power. See FIG 8.1

- A. **REMODEL ONLY:** Connect the steel leader to the wire lanyard so the downlight insert is supported. The fixture will need to remain supported.
- B. Terminate the LED power cable to the LED input cable on the downlight insert.

**NOTE:** During insert installation, always orient the LED input cables toward the installed driver box.

**FIG 8.1**

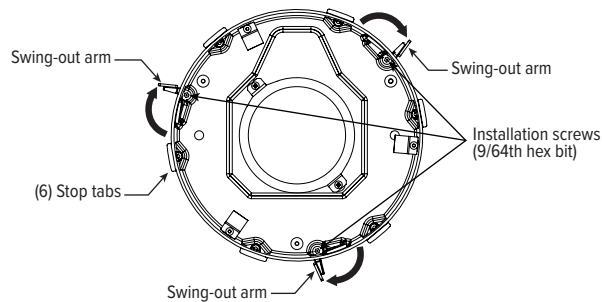


C. Install downlight insert. See FIG 8.2

**STANDARD CEILING:** Install downlight insert to ceiling. Maneuver the downlight insert up through the ceiling cutout until the stop tabs are flush against the ceiling plane.

**SCA CEILING:** Install downlight insert to sloped ceiling trim. Maneuver the downlight insert up through the sloped ceiling trim until the stop tabs are flush against the lower stop ring.

**FIG 8.2** Downlight insert (bottom view).

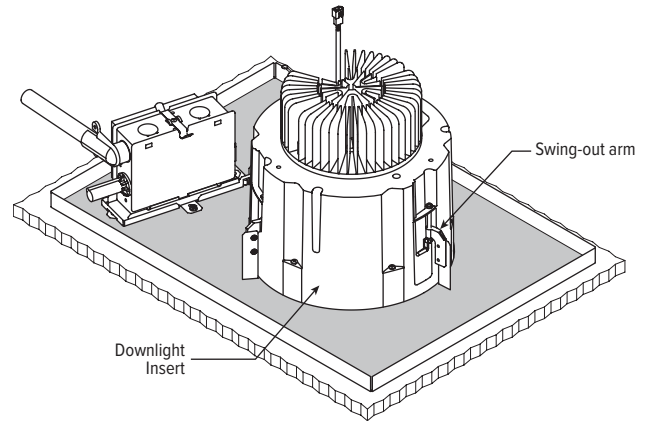


**STEP 9:** Secure downlight.

**NOTE:** If job-related ceiling thickness is outside of specified ranges, please consult factory. Standard ceiling thickness range: 1/2"-1-7/16". Thick ceiling (TC) option range: 1-1/2"-2-1/4"

While continuing to support the insert, use a 9/64" hex bit to drive the (3) installation screws - this will cause the swing-out arms to deploy, drawdown, and clamp the insert in place. (see FIG 9.1 & FIG 9.2)

**FIG 9.1** Standard ceiling. New construction shown. Remodel version has no pan.



**FIG 9.2** SCA ceiling.

