

# 76R/80R LED

## INSTALLATION INSTRUCTIONS



### WARNING:

- This product must be installed in accordance with the applicable installation code by a person familiar with the construction and operation of the product and the hazards involved.
- Make sure all electrical power is turned off while installing the fixture.
- This luminaire must be adequately grounded for protection against shock hazards and to assure proper operation.
- Disconnect power before servicing.
- LEDs are ESD (Electro Static Discharge) sensitive devices that can be easily damaged if the proper ESD mitigating steps are not taken.
- LEDs are very sensitive to mechanical damage. Caution must be taken to avoid damage to the LEDs.
- ESD or mechanical damage voids all warranties.
- Suitable for dry and damp locations.

### FOR USE WITH:

- 76R
- 80R

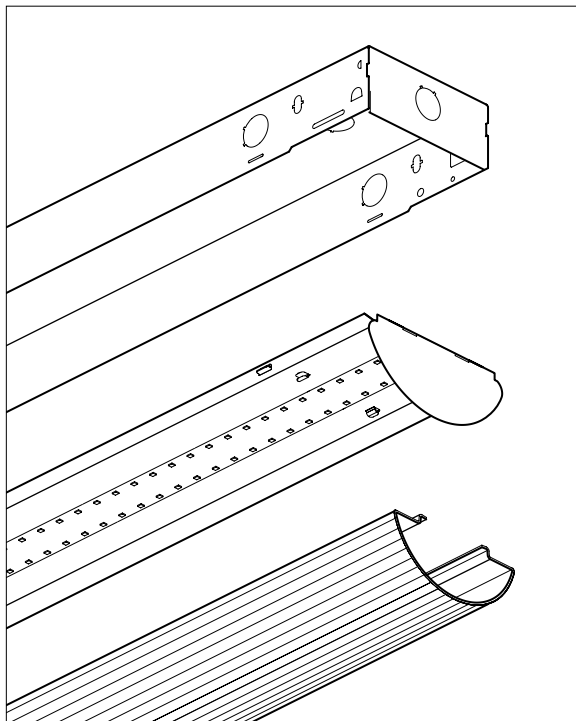
### TABLE OF CONTENTS

A. GENERAL MOUNTING.....	1	E. WIREGUARD INSTALLATION.....	2
B. MOUNTING USING VBY HANGER.....	1	F. REFLECTOR INSTALLATION.....	2
C. WIRING DIAGRAM.....	1	G. ROW ALIGNER INSTALLATION.....	2
D. MOUNTING USING CEILING SPACER BRACKETS.....	2	H. AIRCRAFT CABLE INSTALLATION.....	3

### A. GENERAL MOUNTING

**STEP 1:** Remove lens and wireway cover from fixture. Secure fixture to ceiling using adequate hardware, by others.

FIG A.1.1



**STEP 2:** Make electrical connections in accordance with NEC and local codes. See "WIRING DIAGRAM"

**STEP 3:** Re-install wireway cover and lens. Install end plates on non-row mounted ends.

### B. MOUNTING USING VBY HANGER

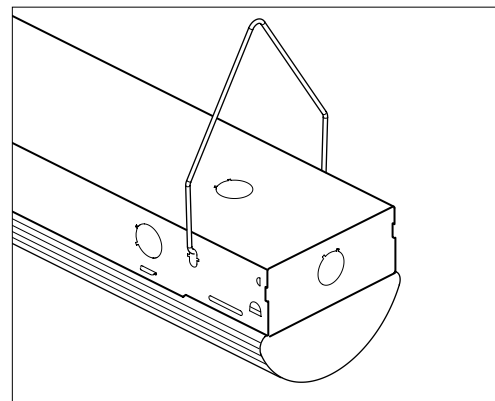
**STEP 1:** Spread VBY hangers to clear fixture housing and insert into slots.

**STEP 2:** Attach VBY hanger to cable or chain (by others) adequately secured to ceiling structure.

**STEP 3:** Remove lens and wireway cover from fixture. See FIG A.1.1 Make electrical connections in accordance with NEC and local codes. See "WIRING DIAGRAM"

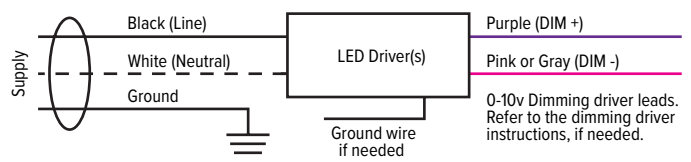
**STEP 4:** Re-install wireway cover and lens. Install end plates on non-row mount ends. See FIG B.4.1

FIG B.4.1



### C. WIRING DIAGRAM

Driver/power supply disconnects accept #12 – #16 AWG stranded or solid wire. Attach power supply and ground wires using UL listed wire connectors. Please consult factory for other driver configurations or emergency driver wiring diagrams.



# 76R/80R LED

## INSTALLATION INSTRUCTIONS

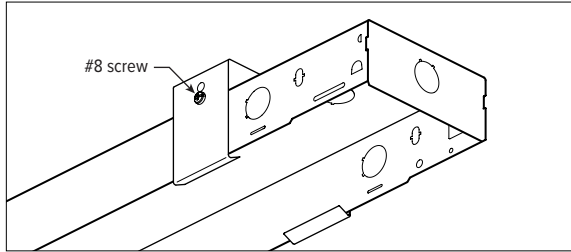
### D. MOUNTING USING CEILING SPACER BRACKETS

FOR USE WITH SHM-76R OR SHS-76R

**STEP 1:** Secure spacer bracket to ceiling using adequate hardware, by others.

**STEP 2:** Remove lens and wireway cover from fixture. See FIG A.1.1 Raise fixture into place and install by engaging spacer brackets. Insert (2) #8 screws (provided) to secure fixture. See FIG D.2.1

FIG D.2.1



**STEP 3:** Make electrical connections in accordance with NEC and local codes. See "C. WIRING DIAGRAM" on page 1

**STEP 4:** Re-install wireway cover and lens.

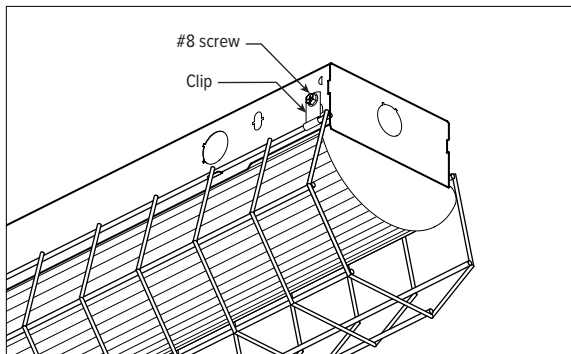
**NOTE:** Wireway cover must be positioned behind mounting bracket flange or lens will not install properly.

Install end plates on non-row mounted ends.

### E. WIREGUARD INSTALLATION

Install wireguard on fixture housing with (4) clips and (4) #8 screws, provided.

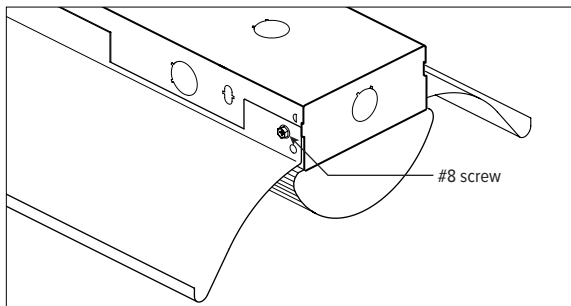
FIG E.4.1



### F. REFLECTOR INSTALLATION

Install reflector(s) on fixture housing with screws (2 per reflector), provided.

FIG F.4.2

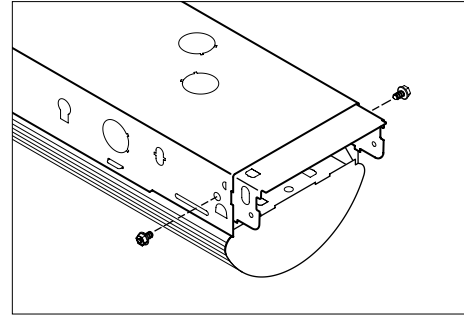


### G. ROW ALIGNER INSTALLATION

**STEP 1:** Insert row aligner and secure with (2) screws.

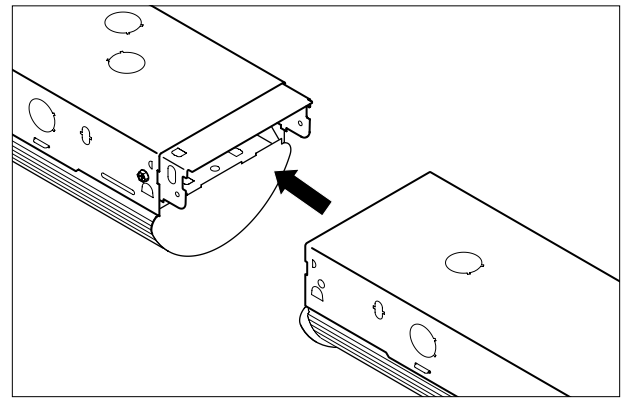
**NOTE:** Channel connector furnished for continuous row applications (included with 8' units only)

FIG G.1.1



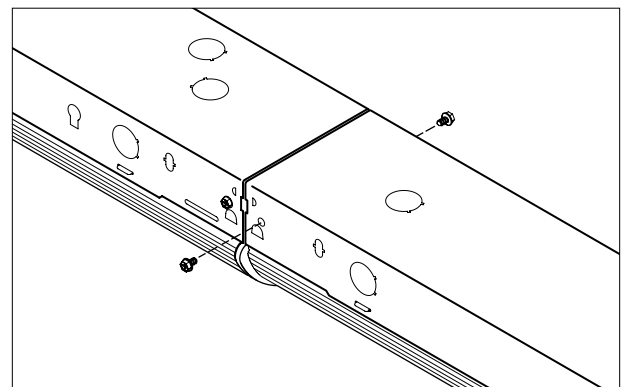
**STEP 2:** Insert adjoining fixture onto row aligner.

FIG G.2.1



**STEP 3:** Once fully seated, insert screw through adjoining fixture and into row aligner. Install end plates on end of row.

FIG G.3.1



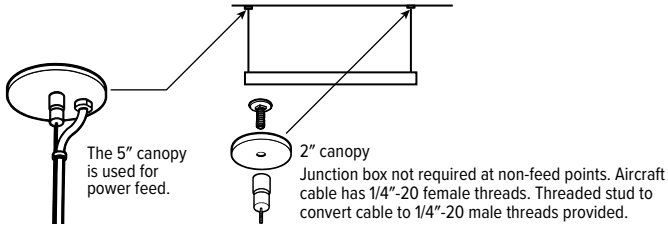
# 76R/80R LED

## INSTALLATION INSTRUCTIONS

### H. AIRCRAFT CABLE INSTALLATION

#### STAND-ALONE

A stand-alone fixture will require two suspension cables. For safety, always support the weight of the fixture. Do not leave a fixture hanging by only one end while working.



#### ROW MOUNT

Install mounting cables at desired locations. Only the first fixture in each row will require two suspension cables. Each adjoining fixture will require only one cable before attaching to the previous fixture.

**NOTE:** For safety - Always support the weight of the fixture. Do not leave a fixture hanging by only one end while working!

