

### WARNING:

- Failure to follow these instructions and warnings may result in death, serious injury or significant property damage - for your protection, read and follow these warnings and instructions carefully before installing or maintaining this equipment. These instructions do not attempt to cover all installation and maintenance situations.
- RISK OF FIRE - Lamps are hot. Keep combustible material away from hot parts. Observe lamp manufacture's warnings, recommendations and restrictions on lamp operation and maintenance. Make sure lamps are correctly installed.
- This product must be installed in accordance with the applicable installation code by a person familiar with the construction and operation of the product and the hazards involved.
- Make sure all electrical power is turned off while installing the fixture.
- Risk of electric shock- never connect to, disconnect from, or service while equipment is energized.
- Disconnect A.C. power and unplug battery before servicing.
- Consult your local building code for approved wiring and installation.
- May be used outdoors under cover. (20°C-50°C)
- Do not let power supply cord touch hot surfaces.
- Do not mount near gas or electric heater.
- Equipment should be mounted in locations and at heights where it will not readily be subjected to tampering by unauthorized personnel.
- The use of accessory equipment not recommended by the manufacturer may cause an unsafe condition.
- Do not use this equipment for other than intended use.
- The AC voltage rating of this equipment is specified on the product label. Do not connect equipment to any other voltage.
- SAVE THESE INSTRUCTIONS AND DELIVER TO OWNER AFTER INSTALLATION

### TABLE OF CONTENTS

INSTALLATION INSTRUCTIONS.....	1	WIRING DIAGRAM.....	2
OPERATION .....	2	MAINTENANCE.....	2
TROUBLESHOOTING.....	2	TESTING.....	2

### INSTALLATION INSTRUCTIONS

- STEP 1:** Remove the front cover. When required, remove battery to access J-box mounting holes.
- STEP 2:** Mount the equipment securely in place on the wall using (2) mounting key holes located at the top of the housing unit, in addition to the J-Box mounting holes. Additional chain support may be required by local codes.
- STEP 3:** Make wiring connections.
- A.** Apply continuous AC power. The fixture has 120/277 dual voltage field-selectable input.
- 120V supply: connect line wire to black lead.
  - 277V supply: connect line wire to orange lead.
  - Connect neutral wire to white lead.
  - Connect ground wire (green lead) in accordance with state and local codes.
- DO NOT energize the circuit at this time.
- B.** Properly insulate the unused leads with a wire nut. Failure to do so may cause an unsafe condition.

- STEP 4:** Install and connect the battery. See "WIRING DIAGRAM" on page 2.
- A.** Connect the Red (+) lead from the PC board assembly to the positive(+) terminal on the battery
- B.** Connect the Black (-) lead from the PC board assembly to the negative (-) battery terminal.
- Observe polarity. Failure to connect the battery properly will result in equipment failure and an unsafe condition. The Emergency lights will NOT come ON at this time.
- STEP 5:** Energize the unit with AC supply. The charge indicator will illuminate.
- STEP 6:** Replace the unit cover. Adjust and focus the lighting heads as required.

# EMER/S

## INSTALLATION INSTRUCTIONS

### OPERATION

- STEP 1:** To test the equipment, depress the TEST switch and the emergency lights will illuminate.
- STEP 2:** Once you release the TEST switch the emergency lights will turn OFF.
- STEP 3:** The automatic charger will return into action, charging the battery and trying to maintain it in a fully charged state.
- NOTE:** Allow the battery to charge for a minimum of 24 hrs after installation or after a power failure before conducting a 90-minute test (see TESTING section).
- CAUTION:** This equipment is furnished with a sophisticated solid state transfer switch which will automatically disconnect the emergency lights from the battery if the battery has been discharged to the end of its useful output.

### TROUBLESHOOTING

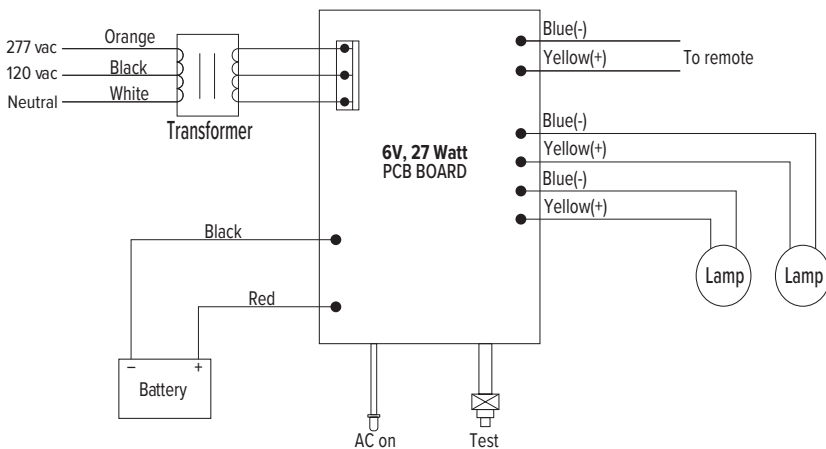
#### CONDITION - THE EMERGENCY LIGHTS DO NOT OPERATE

- STEP 1:** If the charge indicator light is off: Check that the circuit breaker for AC supply is ON.
- STEP 2:** If the charge indicator light is ON
- A. Check that the battery is properly connected.
  - B. If remote lamps are connected to the equipment, then turn off the AC supply and disconnect the remote circuit wires from the equipment. Turn on the AC supply and depress the test switch. If the local lamps (mounted on the equipment itself) come on, then check the remote circuit for short or overload condition and correct as required. Reconnect the circuit wires and restore AC power.
  - C. If problem persists, replace battery.

#### CONDITION - EMERGENCY LIGHTS ARE DIM

- STEP 1:** Battery not fully charged. Allow battery to recharge for 24 hours and then retest. If lights are still dim, replace battery.

### WIRING DIAGRAM



### MAINTENANCE

**CAUTION:** Always turn OFF AC power to the equipment servicing. Servicing should be performed only by a qualified service technician. Only manufacturer SUPPLIED or APPROVED replacement parts must be used.

- STEP 1: BATTERY:** The battery supplied with this unit requires ZERO maintenance. However, it should be tested periodically (see TESTING section) and replaced when it no longer operates the connected fixtures for the complete duration of a 30-second or 90-minute test. It has a life expectancy of 5-7 yrs when used in a normal ambient temperature of 72°F.

- STEP 2: OTHER:** Clean lenses and replace lamps as, and when, required.

### TESTING

NFPA 101 (Life Safety Code) requires that all emergency lighting equipment be functionally tested every 30 days for a minimum of 30 seconds and tested annually for full 90-minute duration. Written records of the testing are to be kept for examination by the authority having jurisdiction.