

VANDAL LED DOWNLIGHT

INSTALLATION INSTRUCTIONS



WARNING:

- This product must be installed in accordance with the applicable installation code by a person familiar with the construction and operation of the product and the hazards involved.
- Make sure all electrical power is turned off while installing the fixture.
- This luminaire must be adequately grounded for protection against shock hazards and to assure proper operation.
- Disconnect power before servicing.
- LEDs are ESD (Electro Static Discharge) sensitive devices that can be easily damaged if the proper ESD mitigating steps are not taken.
- LEDs are very sensitive to mechanical damage. Caution must be taken to avoid damage to the LEDs.
- ESD or mechanical damage voids all warranties.
- Suitable for dry and damp locations. Suitable for wet location under covered ceiling when specified with WET/CC option.

FOR USE WITH:

- V4DR
- V6DR

TABLE OF CONTENTS

MOUNTING PAN INSTALLATION.....	1	RETAINER INSTALLATION.....	3
ELECTRICAL CONNECTIONS.....	2	DOWNLIGHT INSERT INSTALLATION.....	3
JUNCTION BOX INSTALLATION.....	2	TRIM INSTALLATION.....	4

MOUNTING PAN INSTALLATION

STEP 1: Pre-attach the specified mounting hardware to the fixture pan. See FIGS 1.1 - 1.3.

FIG 1.1 Integral 2-position fixed pan bracket
F1: Universal bar hanger, shown: 14" minimum – 24" maximum

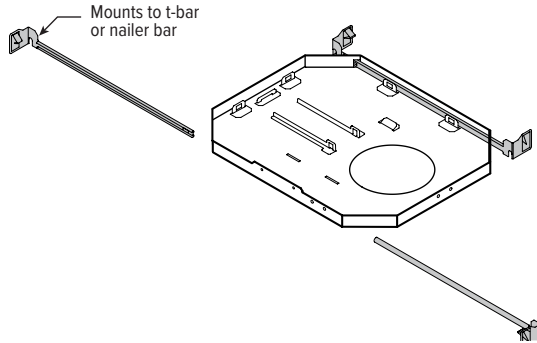


FIG 1.2 Adjustable butterfly pan bracket
BA1: Butterfly bracket only
BA2: Heavy-duty universal bar hanger, shown: 12" minimum – 24" maximum

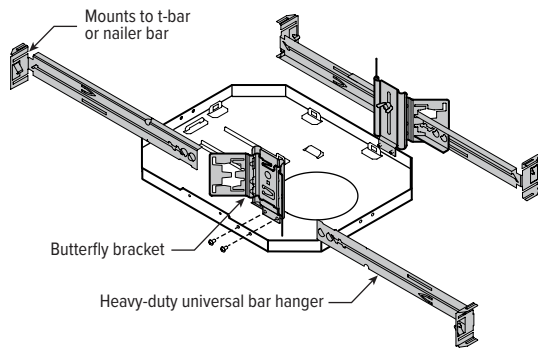
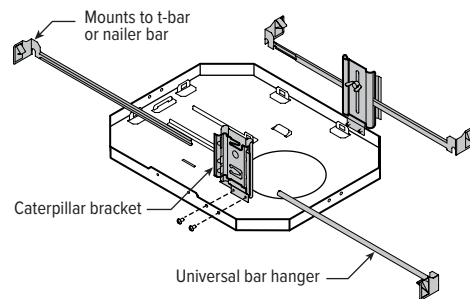


FIG 1.3 Adjustable caterpillar pan bracket
CA1: Universal bar hanger, shown: 14" minimum – 24" maximum
CA2: T-bar clip hanger: 11" minimum – 26" maximum



STEP 2: Install pan assembly as required for ceiling structure while aligning the pan aperture with the ceiling cutout.

STEP 3: Route the flexible metal conduit containing all of the required power input and control leads to the pan location. Leave enough length for pulling at least one foot below the ceiling plane through the ceiling cutout.

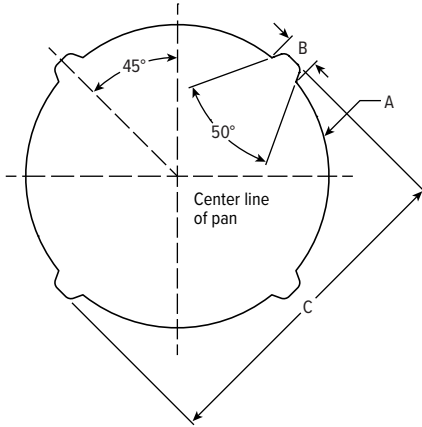
VANDAL LED DOWNLIGHT

INSTALLATION INSTRUCTIONS

ELECTRICAL CONNECTIONS

STEP 4: After pan installation, cut ceiling hole based on pan aperture.

NOTE: Visible trim fasteners will coincide with notch locations.

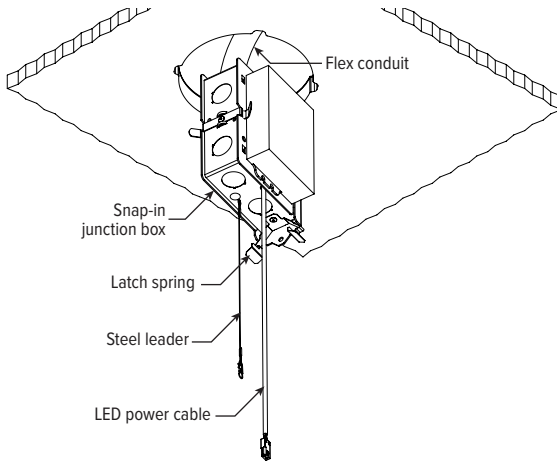


	V4DR	V6DR
A	ø5"	ø6-1/2"
B	9/16"	9/16"
C	5-7/16"	6-7/8"

STEP 5: Connect junction box to conduit.

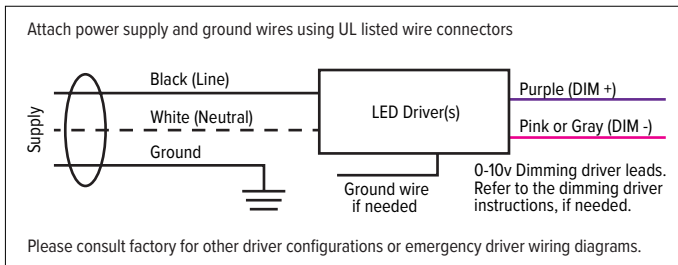
A. Pull the flexible conduit down through the ceiling cutout and connect to the junction box. See FIG 5.1

FIG 5.1



B. Make all necessary lead terminations within the junction box. Attach power supply and ground wires using UL listed wire connectors. Ballast disconnect accepts #12 - #16 AWG stranded or solid wire. Re-attach the access cover.

FIG 5.2

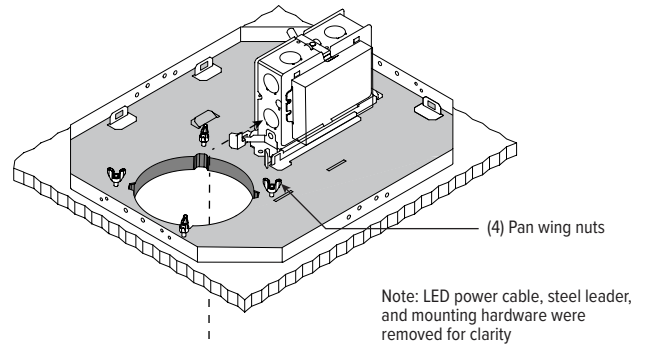


JUNCTION BOX INSTALLATION

STEP 6: Install junction box.

A. Install junction box to mounting pan (See FIG 6.1). Maneuver the junction box up through the ceiling cutout, rotate down 90 degrees, then slide back into the receiver bracket until the latch spring engages to lock it into the pan.

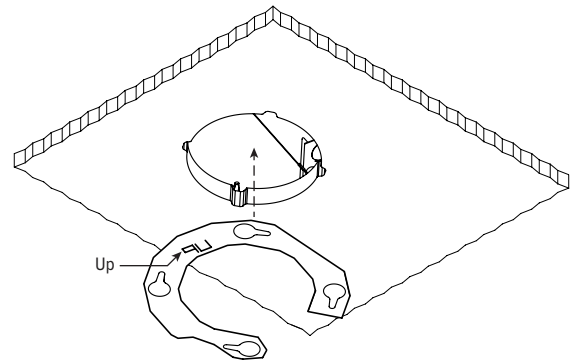
FIG 6.1



B. Pull the LED power cable and steel leader down through the ceiling cutout so they are accessible for the downlight insert installation.

STEP 7: Ensure that the (4) pan wing nuts are loosened but not removed. (See FIG 6.1) Manage trim retainer ring up through ceiling cutout, and orient such that the word "up" is facing up, and gap is toward the driver box. (See FIG 7.1)

FIG 7.1



VANDAL LED DOWNLIGHT

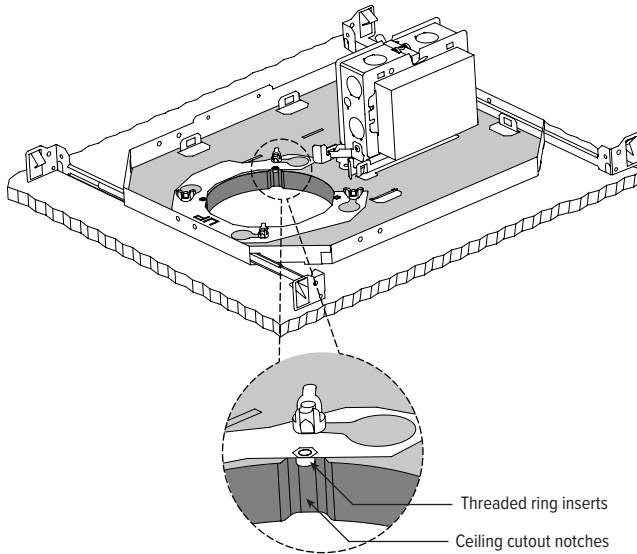
INSTALLATION INSTRUCTIONS

RETAINER INSTALLATION

STEP 8:

- A. Lay retainer ring onto pan, with large holes passing over the (4) wing nuts.

FIG 8.1



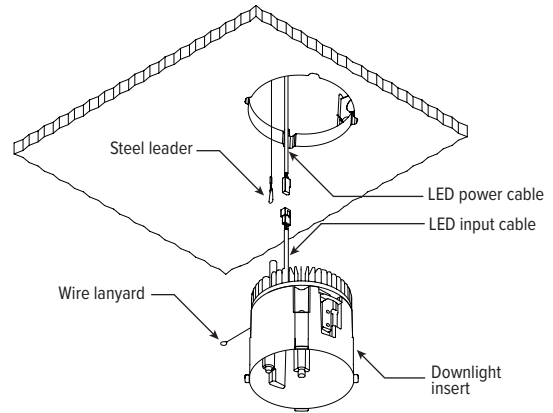
- B. Rotate retainer ring so that the keyhole slots stop on the threaded studs and the (4) threaded ring inserts coincide with the notches in the ceiling cutout.
- C. Tighten the (4) wing nuts to secure the retainer ring.

DOWNLIGHT INSERT INSTALLATION

STEP 9: Connect downlight insert to power. (See FIG 6.1)

- A. Connect the steel leader to the wire lanyard.
- B. Connect the LED power cable to the LED input cable.

FIG 9.1



STEP 10: Install downlight insert to ceiling.

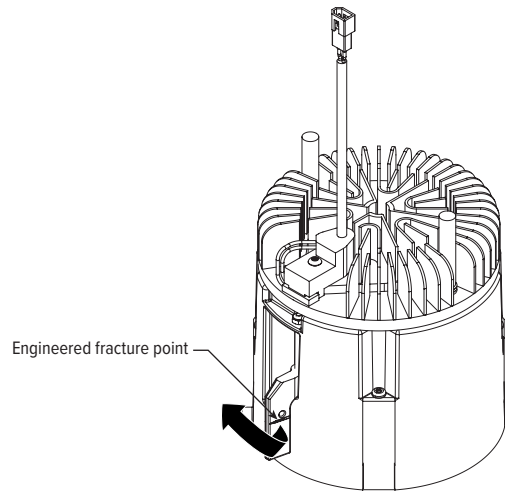
- A. Orient downlight insert such that ceiling stop brackets align with notches in ceiling cutout. Lift the downlight insert into the ceiling cutout until the ceiling stop brackets are flush against the ceiling.
- B. While continuing to support the insert, use a 9/64" hex bit to drive the installation screws - this will cause the swing-out arms to deploy, draw down, and clamp the insert in place.

THICK CEILING MODIFICATION

V4DR and V6DR fixtures are easily field modified for thick ceiling applications. As shipped they are configured to a ceiling thickness range of 1/2" to 1-7/16". They are engineered to be field modified as needed to accommodate thick ceilings from 1-7/16" to 1-7/8" thick.

Using (2) pairs of pliers, firmly grasp swing out arm above and below engineered fracture point and bend short side as shown to shorten. (see See FIG 10.1)

FIG 10.1 V4DR and V6DR thick ceiling modification.



VANDAL LED DOWNLIGHT

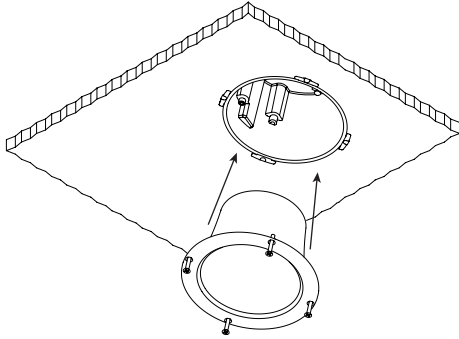
INSTALLATION INSTRUCTIONS

TRIM INSTALLATION

STEP 11:

- A. Align trim screws with holes in ceiling stop brackets and push trim up into downlight insert until trim flange is pressed up against the ceiling.

FIG 11.1



- B. Drive trim screws until they engage with threaded insert in retainer ring.

FIG 11.2

