

TLED LAMPING – NEMA TYPE “G”

INSTALLATION INSTRUCTIONS



WARNING:

- This product must be installed in accordance with the applicable installation code by a person familiar with the construction and operation of the product and the hazards involved.
- Make sure all electrical power is turned off while installing the fixture.
- This luminaire must be adequately grounded for protection against shock hazards and to assure proper operation.
- Disconnect power before servicing.
- Caution - This luminaire cannot operate a fluorescent lamp.
- Risk of Fire or Electric Shock. Do not alter, relocate, or remove wiring, lamp holders, power supply, or any other electrical component.
- Luminaires are suitable for dry and damp locations only.
- LED tubes are not for use with dimmers.
- Do not install insulation within 76mm (3 in.) of any part of the luminaire, unless using Type IC Lamps.
- Complete all electrical connections with appropriate connectors/wires nuts as needed, per all local and national electrical codes.

WHAT IS A NEMA “G” (GRID) FIXTURE?

All Williams grid fixtures (NEMA Type “G”) are designed to fit securely into a standard NEMA Type “G”, 1” nominal T-bar system.

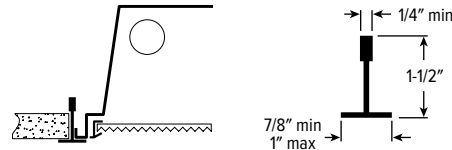


TABLE OF CONTENTS

WHAT IS A NEMA “G” (GRID) FIXTURE?.....	1	TYPE C WITH EXTERNAL DRIVER WIRING DIAGRAMS.....	2
TYPE B WIRING DIAGRAMS	1		

STEP 1: Install the fixture(s) into a NEMA Type “G” ceiling system:

- Raise the fixture through the ceiling opening and rest the fixture in the grid system.
- Center the fixture within the opening.
- Use earthquake clips or integral T-bar clips to secure the fixture to the ceiling structure for added stability.
- Refer to local codes for other installation requirements.

STEP 2: Complete necessary electrical connections:

- Remove the access plate on the back of the fixture (see illustration below).
- Remove the ballast supply wires from the access plate.
- Make wire connections in accordance with local codes. Ground screw is provided on the access plate.
- Re-install the access plate.
- Install lamps.
 - TYPE B: Ensure correct lamp orientation per (N) and (L) markings on fixture.
 - TYPE C: Lamps are not polarity sensitive and can be wired at either end.
- Make sure lamps are correctly seated in the lampholder (sockets) before twisting.

TYPE B WIRING DIAGRAMS

FIG 1.1 Single End Direct Wiring Circuit Diagram For Non-Shunted Lampholders

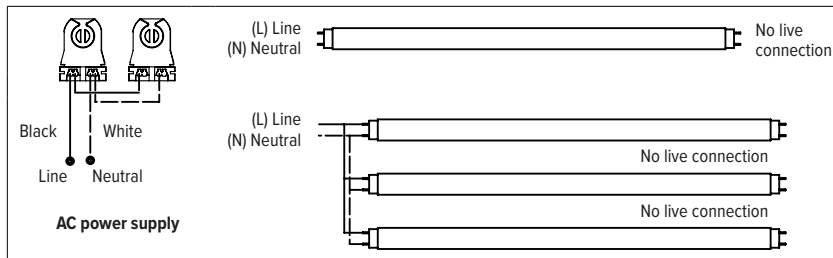
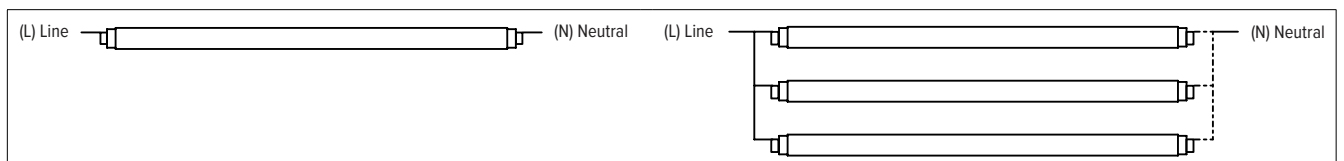


FIG 1.2 Double End Direct Wiring Circuit Diagram For Shunted Lampholders



TLED LAMPING – NEMA TYPE “G”

INSTALLATION INSTRUCTIONS

TYPE C WITH EXTERNAL DRIVER WIRING DIAGRAMS

FIG 2.1 Double End Installation for Shunted and Non-Shunted Lampholders

Not polarity sensitive, lamps can be wired at either end.

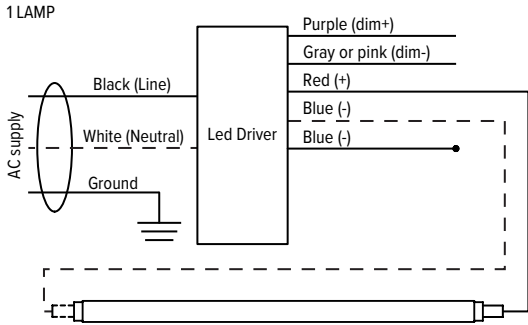


FIG 2.2 Single End Installation for Non-Shunted Lampholders Only

Not polarity sensitive, pins can accept '+' or '-'.

