

VF STRAIGHT ARM STANCHION MOUNT



INSTALLATION INSTRUCTIONS

WARNING:

- This product must be installed in accordance with the applicable installation code by a person familiar with the construction and operation of the product and the hazards involved.
- Make sure all electrical power is turned off while installing the fixture.
- This luminaire must be adequately grounded for protection against shock hazards and to assure proper operation.
- Disconnect power before servicing.
- LEDs are ESD (Electro Static Discharge) sensitive devices that can be easily damaged if the proper ESD mitigating steps are not taken.
- LEDs are very sensitive to mechanical damage. Caution must be taken to avoid damage to the LEDs.
- ESD or mechanical damage voids all warranties.

TOOLS/FASTENERS REQUIRED:

- Torque Wrench with range of 15-125 lb-in.
- | | |
|--------------|---------------|
| VF1 | VF2 |
| 1/8" Hex Key | 1/8" Hex Key |
| | 5/32" Hex Key |

FOR USE WITH:

- VF1-ST
- VF2-ST
- VF1-STH
- VF2-STH

STANCHION MOUNT INSTALLATION

FOR HORIZONTAL OR VERTICAL MOUNTING ONLY.

STEP 1: Remove extruded sleeve from pipe support by loosening (do not remove) (2) 1/4-20 set screws. (FIG 1.2)

STEP 2: Feed incoming power supply wires through the pipe support and install pipe support to an anchored base or structure

NOTE: Mounting hardware, by others, must be adequate to support five times the weight of the fixture (VF1: 8 lbs., VF2: 20 lbs., plus the mounting arm weight: up to 12 lbs.)

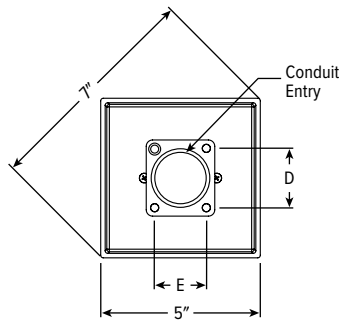
STEP 3: Mounting orientation: After the fixture is installed to the stanchion mount and adjusted to the desired angle, the base cover and sleeve can be rotated to be aligned with fixture arm, if preferred.

STEP 4: Tighten (4) socket head cap screws in base to 60-70 lb.-in. torque (VF1) or 115-125 lb.-in. (VF2) (FIG 1.2)

STEP 5: Slip-fit extruded arm/base cover over field wires and pipe support. (FIG 1.3)

STEP 6: Refer to [VF INSTRUCTIONS](#) for fixture mounting.

FIG 1.1



	A	B	C	D	E
VF1	1-15/16"	2-3/4"	12"	1-7/8"	1-5/8"
VF2	2-3/8"	4-1/4"	13-3/16"	2-1/2"	2-3/16"

FIG 1.2

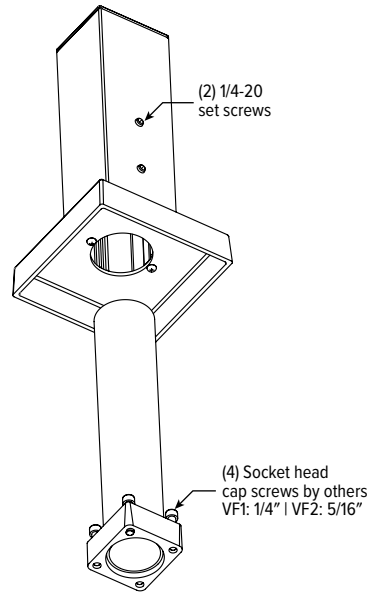


FIG 1.4 VF-ST

FIG 1.3

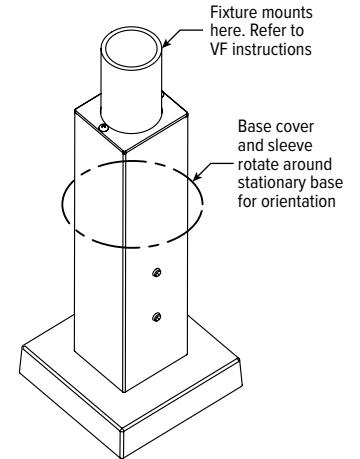


FIG 1.5 VF-STH

