

EFTR & HETR RETROFIT KITS— THE “EXTREME MAKEOVER” FOR TROFFERS.

TOOLS ~~REQUIRED.~~



EFTR & HETR

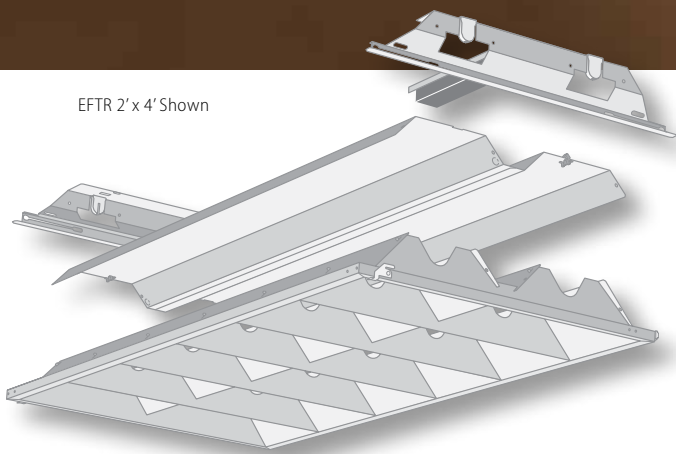
Williams' new EFTR and HETR retrofit kits offer a one-tool solution for replacing unattractive, outdated, less-than-efficient troffers and parabolics that are in dire need of a makeover.

The architecturally pleasing EFTR and HETR are engineered for excellent illumination, high efficiency, easy installation and maintenance, and feature the same attractive design elements and quality construction of Williams' popular HET and EFT efficient troffers.

Available in two sizes and two styles, Williams' Retrofit Kits install with a single screwdriver and provide numerous configurations to complement any project.

When facing your next extreme makeover candidate, don't look away. Select Williams Fluorescent EFTR or HETR. Like any successful makeover, the transformation will impress even the toughest crowd.

EFTR 2' x 4' Shown

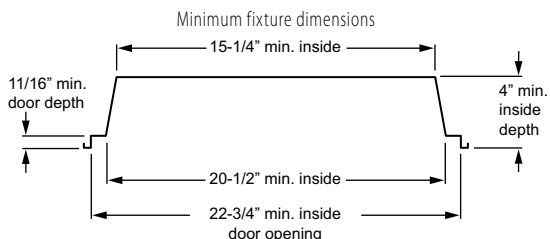
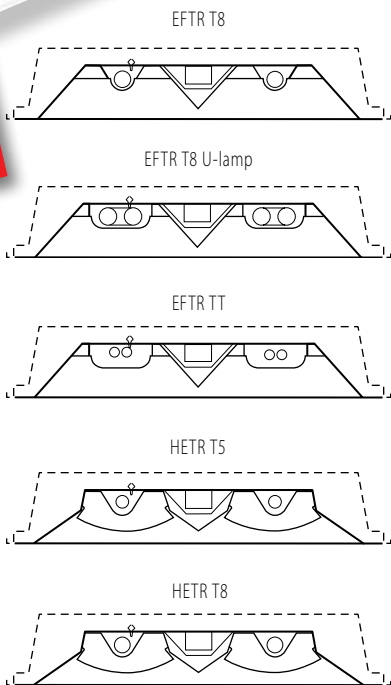


 **Williams**
FLUORESCENT LIGHTING

Housing provided by others.
Lamps not included.

**UP TO
87.6%
EFFICIENT**

**H.E. Williams, Inc.
strongly recommends
installing a trial fixture
prior to ordering full
project quantities.**



FEATURES:

- ▶ Attractive and environmentally friendly—achieve the fresh appearance of a new architecturally designed fixture while recycling the existing fixture housing.
- ▶ Can improve optical efficiency as much as 20% when replacing dated troffers and parabolics, realizing substantial energy savings.
- ▶ Allows fixture upgrades without disturbing the ceiling.
- ▶ T-slot steel hinge allows reversible hinging and latching and ensures positive retention when door is opened.
- ▶ Cam latches close securely and allow hassle-free maintenance.
- ▶ Tool-less access to the electrical from room-side of fixture.
- ▶ Quick and easy installation.
- ▶ All parts painted after fabrication to facilitate installation, increase efficiency, and inhibit corrosion.
- ▶ This fixture is proudly made in the USA.

EFTR SPECIFICATIONS:

- ▶ **Housing** – Provided by others, must fit within approved minimum dimensions.
- ▶ **Reflectors/Wireway Covers** – 25-gauge C.R.S.
- ▶ **Door Frame & Louver** – Door Frame: 22-gauge C.R.S., flat with mitered corners. T-slot steel hinge allows reversible hinging and latching. Louver: 25-gauge C.R.S.
- ▶ **Finish** – Reflector/Wireway Cover: 92% minimum average reflective white polyester powder coat bonded to phosphate-free, multi-stage pretreated metal. Door Frame and Louver: Highly reflective non-glare matte white polyester powder coated finish.
- ▶ **Electrical** – Electronic ballast standard, rated Class P.
- ▶ **Labels** – UL/CUL listed as recessed fluorescent luminaire suitable for dry or damp locations. UL/CUL classified as luminaire conversion, retrofit kit.
- ▶ **Mounting** – Designed to retrofit existing troffers and parabolics in grid ceiling applications.

HETR SPECIFICATIONS:

- ▶ **Housing** – Provided by others, must fit within approved minimum dimensions.
- ▶ **Reflectors/Wireway Covers** – 25-gauge C.R.S.
- ▶ **Shielding** – Frosted, ribbed acrylic diffuser.
- ▶ **Door** – 22-gauge C.R.S., flat with mitered corners. T-slot steel hinge allows reversible hinging and latching.
- ▶ **Finish** – Reflector/Wireway Cover: 92% minimum average reflective white polyester powder coat bonded to phosphate-free, multi-stage pretreated metal. Door: Highly reflective non-glare matte white polyester powder coated finish.
- ▶ **Electrical** – Electronic ballast standard, rated Class P.
- ▶ **Labels** – UL/CUL listed as recessed fluorescent luminaire suitable for dry or damp locations. UL/CUL classified as luminaire conversion, retrofit kit.
- ▶ **Mounting** – Designed to retrofit existing troffers and parabolics in grid ceiling applications.

