

Architectural Yoke-Style Post Top Luminaire

Photo:
San Jose
Regional
Medical
Center



OPE

Williams'

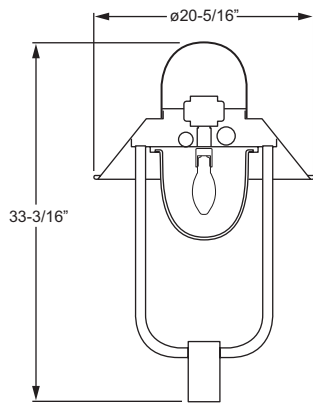
A sporty addition to Williams Outdoor Post Top line, the OPE Series offers up to 150 watts of PSMH or HPS lamping under a super durable powder coated spun aluminum hood.

Classic features include an extruded aluminum yoke and an angled hood for added strength, durability, and aesthetic appeal.

An opal bullet-shaped diffuser extends below the hood to evenly illuminate parks, walkways, hospital and educational campuses.

 **Williams**
®
OUTDOOR LIGHTING



**SPECIFICATIONS:**

- ▶ Housing – Cast aluminum dome and lower ballast housing, .188" minimum wall thickness.
- ▶ Diffuser – One-piece bullet-shaped U.V. stabilized opal acrylic.
- ▶ Hood – One-piece spun aluminum, .080" minimum wall thickness. Underside finish is highly-reflective white polyester powder coat.
- ▶ Electrical Package – PSMH: Rated -20°F minimum starting temperature. HPS: Rated -40°F minimum starting temperature. All PSMH and HPS electrical packages include porcelain socket and integral ballast mounted on removable ballast tray. Prewired at factory to a disconnect plug for easy field installation. HX-HPF or CWA ballast type standard. Lamp is optional, please specify when ordering.
- ▶ Distribution – Type V distribution.
- ▶ Finish Options – Super durable polyester powder coat meets and exceeds AAMA 2604 specifications for outdoor durability.
- ▶ Mounting Point – Post top mounting on 3" or 4" O.D. tenon or pole top. Secured with stainless steel set screws. See Williams' Poles or Pole Top Assemblies for details.
- ▶ Labels – cCSAus certified as luminaire suitable for wet location.
- ▶ This fixture is proudly made in the USA.



Photo: San Jose Regional Medical Center