

**She'll Be 25  
By The Time  
You Replace  
The First Lamp  
In Your ICEC15.**



# ICEC15

## 100,000-Hour Induction Cylinder

Williams Downlighting® offers the ultimate in attractive lighting solutions for hard-to-access areas: the ICEC15 Cylinder. Designed specifically for Sylvania ICETRON™ lamp systems with a 5-year warranty for parts and labor, this 15" Induction Cylinder will provide up to 25\* years of high-quality white light before you even begin to worry about changing a lamp.

Long-lasting lighting for auditoriums, atriums, arenas and other high ceiling applications, the ICEC15 Cylinder's clean design and simple lines complement any architecture.

At Williams Downlighting we figure you'll probably find plenty of things to worry about before she's 25. Changing a light bulb shouldn't be one of them!

\*25-year lamp life based on 10 hours usage per day.



**D O W N L I G H T I N G**



**100,000 HOURS!**

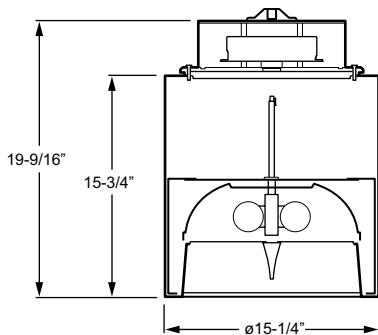
## FEATURES

- ▶ 100,000-hour lamp life significantly reduces maintenance where re-lamping is inconvenient or expensive.
- ▶ 5-year warranty for parts and labor on ICETRON™ system.\*
- ▶ Induction lamps provide excellent lumen maintenance—70% at 60,000 hours.
- ▶ 80 color rendering index (CRI).
- ▶ 100W and 150W systems operate in ambient temperatures as low as -40°C/-40°F (-25°C/-13°F with 70W system).
- ▶ 35°C maximum ambient operating temperature.
- ▶ Instant-on/Instant re-strike.
- ▶ Bronze, black, or white finish standard. Custom finishes available—please consult factory.
- ▶ Low EMI—complies with FCC non-consumer limits.
- ▶ Prewired at factory for easy installation.
- ▶ This fixture is proudly made in the USA.

\* ICETRON™ lamp and ballast only.

## SPECIFICATIONS

- ▶ HOUSING – Heavy-gauge aluminum cylinder.
- ▶ HOUSING FINISH – Polyester powder coat bonded to phosphate-free, multi-stage pretreated metal.
- ▶ REFLECTOR/LOUVER (CCL) FINISH – Low-iridescent aluminum. Clear semi-specular (CS) finish standard.
- ▶ ELECTRICAL – Electronic 120-277V ballast standard. Thermally protected. Prewired at factory for easy field installation
- ▶ LABELS – cCSAus certified as luminaire suitable for dry or damp locations.
- ▶ MOUNTING – Pendant (indoor applications only) or wall mount only.



## QUANTITY ESTIMATOR

Number of Fixtures Required - Item #: ICEC15-100

Room Size	± 50 fc.	± 75 fc.	± 100 fc.
20' x 20' (400 sq. ft.)	<b>9</b>	<b>16</b>	<b>20</b>
30' x 30' (900 sq. ft.)	<b>16</b>	<b>25</b>	<b>36</b>
40' x 40' (1600 sq. ft.)	<b>25</b>	<b>42</b>	<b>56</b>

Calculations based on standard reflectance of 80/50/20 and a light loss factor of .95 with a 20'-0" ceiling height.

