

# Williams' HET –

# It Stands Up To Even the Toughest Competition.



 **Williams**  
FLUORESCENT LIGHTING

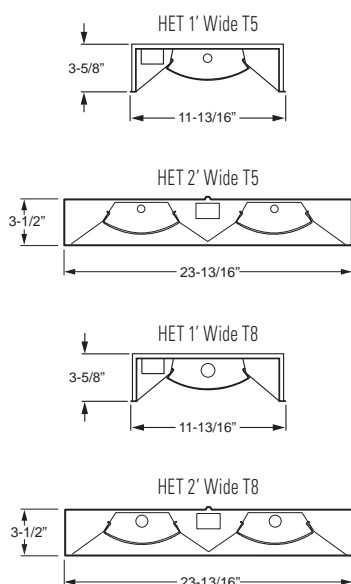
## **WILLIAMS' HET** **FEARLESS. EFFICIENT. A WINNER!**

In the competitive world of commercial lighting, the HET is comfortable riding at the front of the pack. Proudly made in the USA with 22-gauge C.R.S., the HET stands up against the best of them.

In fact the HET can compete on two levels: T5 or T8, providing efficiencies up to 90%. Williams' standard paint after fabrication makes the HET easier to handle, while the highly reflective matte white paint increases photometric performance.

Unlike the competition, the HET features a single-piece diffuser that can't get separated from the fixture and tool-less room-side ballast access for an efficient and attractive alternative to a standard troffer.

So have no fear when specifying Williams' high efficiency troffer. In the commercial lighting industry, our HET stands up comfortably to even the toughest competition.



## FEATURES

- **This fixture proudly made in the USA.**
- One-piece frosted acrylic diffusers won't become separated from fixture.
- Available with either T5 or T8 lamping.
- Frosted acrylic diffusers combined with highly-reflective matte white paint provide high optical efficiencies and visual comfort.
- Shallow fixture depth allows for use in limited plenum applications.
- Optional anti-microbial powder coating available to prevent the spread of dangerous micro-organisms and suppress the growth of mold and bacteria.
- Tool-less access to electrical from the room side of fixture.
- Integral T-bar clips quickly secure fixture to structure.
- Attractive, energy efficient architectural fixture that delivers comfortable, uniform lighting.
- All parts painted after fabrication to facilitate installation, increase efficiency, and inhibit corrosion.

## SPECIFICATIONS

- HOUSING – 22-gauge die formed C.R.S.
- SHIELDING – Ribbed acrylic diffuser.
- FINISH – Highly-reflective non-glare matte white polyester powder coat bonded to phosphate-free, multi-stage pretreated metal.
- ELECTRICAL – Electronic ballast standard, instant start T8, program start T5, rated Class P.
- MOUNTING – NEMA Type "G" standard.
- LABELS – UL/CUL listed as recessed fluorescent luminaire suitable for dry or damp locations.

**UP TO 90% EFFICIENT**

OPTICAL EFFICIENCY	
HET 1' x 2', 1-lamp TT	<b>75.2%</b>
HET 1' x 4', 1-Lamp T5	<b>87.7%</b>
HET 2' x 4', 2-Lamp T5	<b>89.2%</b>
HET 1' x 4', 1-Lamp T8	<b>90.0%</b>
HET 2' x 4', 2-Lamp T8	<b>89.1%</b>

QUANTITY ESTIMATOR			
Number of Fixtures Required - Item #: <b>HETG-S24-228T5S</b>			
Room Size	± 40 fc.	± 60 fc.	± 80 fc.
30' x 30' (900 sq. ft.)	<b>9</b>	<b>16</b>	<b>20</b>
50' x 50' (2,500 sq. ft.)	<b>25</b>	<b>36</b>	<b>48</b>
100' x 100' (10,000 sq. ft.)	<b>90</b>	<b>144</b>	<b>192</b>

