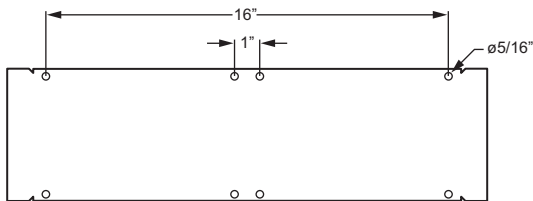


**Warning:**

- This product must be installed in accordance with the applicable local, state, and national electrical codes by a licensed person familiar with the construction and operation of the product and the hazards involved.
- Make sure all electrical power is turned off while installing the fixture.
- This luminaire must be adequately grounded for protection against shock hazards and to assure proper operation.
- Disconnect power before servicing.
- Always use correct lamp type and wattages.

**Step 1: MOUNTING CANOPY**

- Anchor the canopy ballast tray to the mounting surface by installing 1/4 x 20 screws or studs (FBO) into  $\phi 5/16$ " mounting holes provided.



**Step 2: TERMINATE LINE LEAD JUMPERS TO BALLASTS**

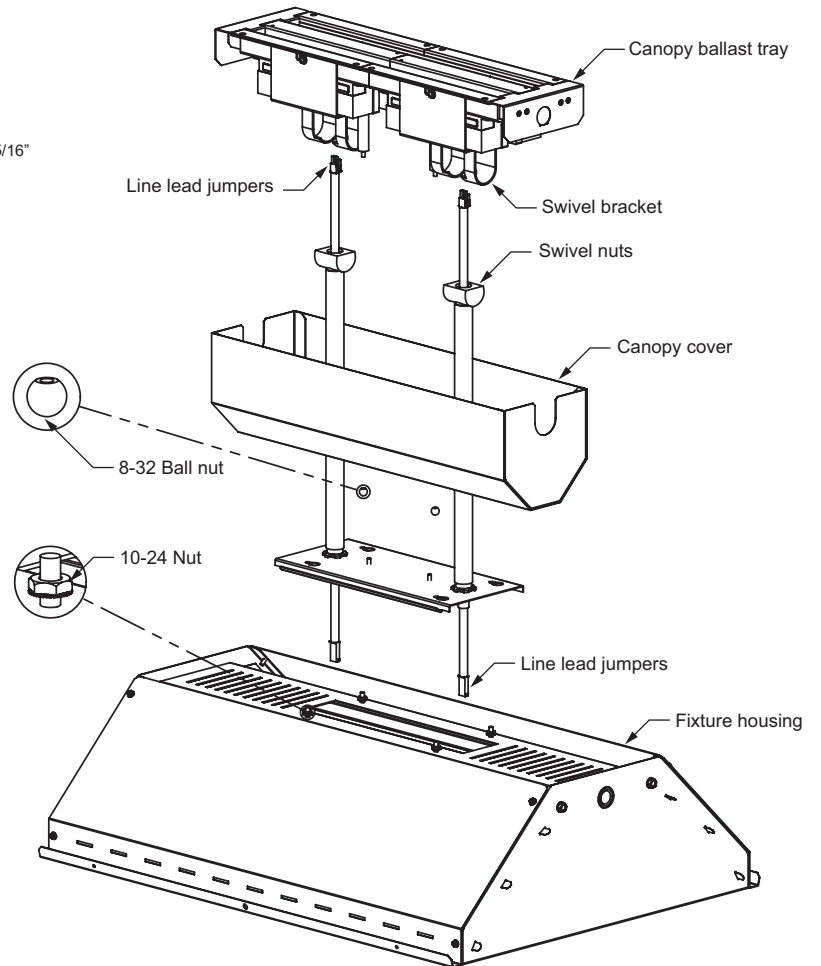
**Step 3: INSERT SWIVEL NUTS INTO SWIVEL BRACKETS**

**Step 4: ATTACH CANOPY COVER**

- Attach canopy cover to canopy ballast tray using 8-32 ball nuts provided (see illustration to the right).

**Step 5: ATTACH MOUNTING PLATE TO FIXTURE**

- Hinge one side of the mounting plate under the lip of the opening on top of the fixture housing. Terminate the line lead jumpers to connections within the fixture housing. Lower the other side of the mounting plate under the lip, make sure to line up the keyhole slots in mounting plate with (4) 10-24 nuts on backside of housing. Once the mounting plate is flush to the housing, slide the mounting plate so that the 10-24 nuts secure it to the housing.

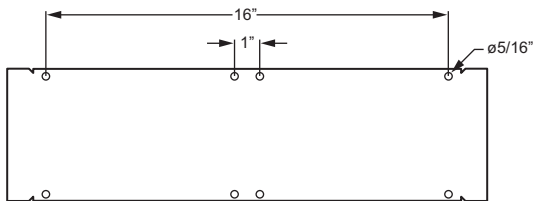


**Warning:**

- This product must be installed in accordance with the applicable local, state, and national electrical codes by a licensed person familiar with the construction and operation of the product and the hazards involved.
- Make sure all electrical power is turned off while installing the fixture.
- This luminaire must be adequately grounded for protection against shock hazards and to assure proper operation.
- Disconnect power before servicing.
- Always use correct lamp type and wattages.

**Step 1: MOUNTING CANOPY**

- Anchor the canopy ballast tray to the mounting surface by installing 1/4 x 20 screws or studs (FBO) into  $\phi 5/16$ " mounting holes provided.



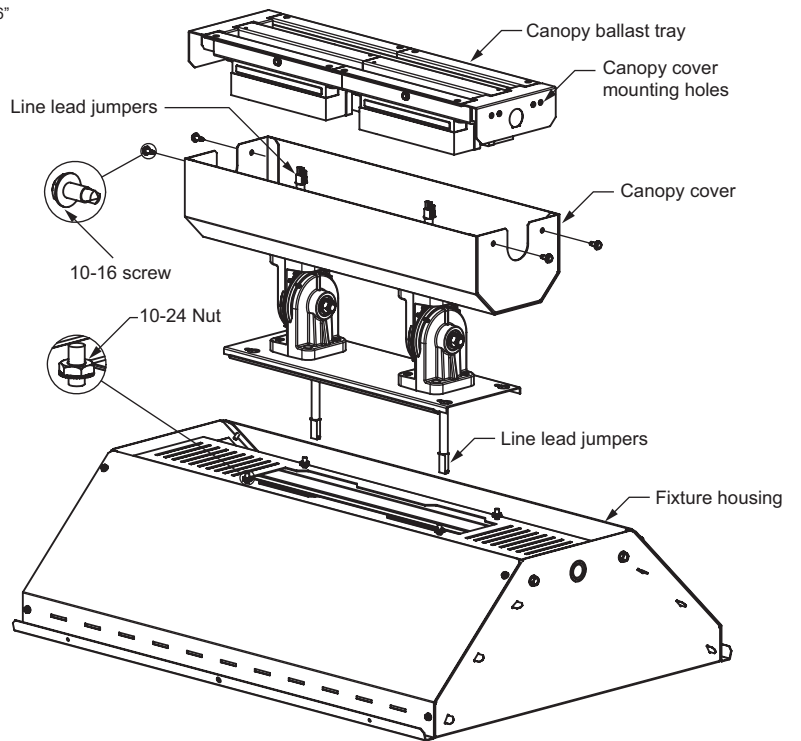
**Step 2: TERMINATE LINE LEAD JUMPERS TO BALLASTS**

**Step 3: ATTACH CANOPY COVER**

- Attach canopy cover to canopy ballast tray using (4) 10-16 screws (provided) into corresponding canopy cover mounting holes on ballast tray assembly (see illustration to the right).

**Step 4: ATTACH MOUNTING PLATE TO FIXTURE**

- Hinge one side of the mounting plate under the lip of the opening on top of the fixture housing. Terminate the line lead jumpers to connections within the fixture housing. Lower the other side of the mounting plate under the lip, make sure to line up the keyhole slots in mounting plate with (4) 10-24 nuts on backside of housing. Once the mounting plate is flush to the housing, slide the mounting plate so that the 10-24 nuts secure it to the housing.

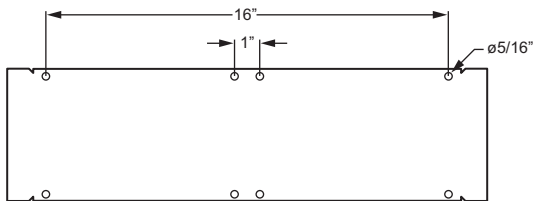


**Warning:**

- This product must be installed in accordance with the applicable local, state, and national electrical codes by a licensed person familiar with the construction and operation of the product and the hazards involved.
- Make sure all electrical power is turned off while installing the fixture.
- This luminaire must be adequately grounded for protection against shock hazards and to assure proper operation.
- Disconnect power before servicing.
- Always use correct lamp type and wattages.

**Step 1: MOUNTING CANOPY**

- Anchor the canopy ballast tray to the mounting surface by installing 1/4 x 20 screws or studs (FBO) into  $\phi 5/16$ " mounting holes provided.



**Step 2: TERMINATE LINE LEAD JUMPERS TO BALLASTS**

**Step 3: ATTACH CANOPY COVER**

- Attach canopy cover to canopy ballast tray using (4) 10-16 screws (provided) into corresponding canopy cover mounting holes on ballast tray assembly (see illustration to the right).

**Step 4: ATTACH MOUNTING PLATE TO FIXTURE**

- Hinge one side of the mounting plate under the lip of the opening on top of the fixture housing. Terminate the line lead jumpers to connections within the fixture housing. Lower the other side of the mounting plate under the lip, make sure to line up the keyhole slots in mounting plate with (4) 10-24 nuts on backside of housing. Once the mounting plate is flush to the housing, slide the mounting plate so that the 10-24 nuts secure it to the housing.

