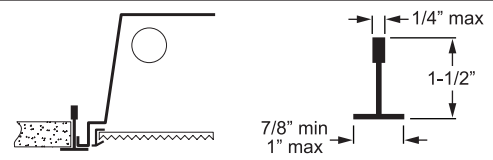


NEMA TYPE "G" CEILING INSTRUCTIONS FOR USE WITH DIRECT/INDIRECT SERIES

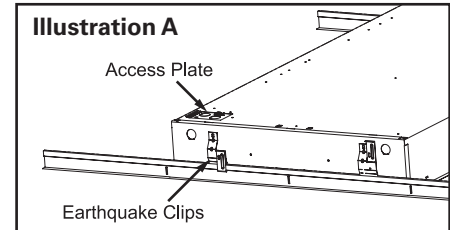
What is a NEMA "G" (Grid) fixture?

- All Williams grid fixtures (NEMA Type "G") are designed to fit securely into a standard NEMA Type "G", 1" nominal T-bar system.

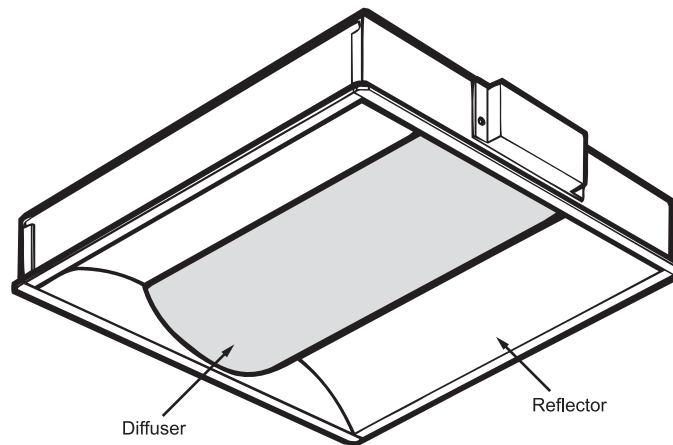


**** Installation of these products should only be performed by a qualified electrician. ****

1. Follow the steps below to install the fixture(s) into a NEMA Type "G" ceiling system:
 - a. Raise the fixture through the ceiling opening and rest the fixture in the grid system
 - b. Center the fixture within the opening
 - c. If required, use earthquake clips to secure the fixture to the ceiling structure for added stability
 - d. Refer to local codes for other installation requirements



2. Once the fixture is installed into the ceiling system, follow the steps below to complete necessary electrical connections:
 - a. Remove access plate on the back of the fixture (see Illustration A.)
 - b. Remove ballast supply wires from access plate
 - c. Make wire connections in accordance with local codes. Ground screw is provided on access plate
 - d. Replace access plate
3. Attach the diffuser by lightly spreading out diffuser at each end to enable attachment over studs provided on either end plate. For removal of the reflector, insert a thin blade (FBO) between the reflector and the fixture housing along either side of the fixture, and slide along the edge disconnecting the attachment points. Replacement is performed by raising reflector into position and applying light pressure along the attachment points to snap reflector into position.



Note: Refer to individual product specification sheets for further information

Warning:

- This product must be installed in accordance with the applicable local, state, and national electrical codes by a licensed person familiar with the construction and operation of the product and the hazards involved.
- Make sure all electrical power is turned off while installing the fixture.
- This luminaire must be adequately grounded for protection against shock hazards and to assure proper operation.
- Disconnect power before servicing.
- Always use correct lamp type and wattages.

ACRYLIC DIFFUSER INSTALLATION:

Step 1: The acrylic diffuser is supported by two screws in each fixture endplate. The diffuser can be flexed/spread apart by holding the diffuser with two hands, pushing upward with the thumbs and pulling outward with the fingers (Figure A). To secure diffuser to fixture, flex diffuser as stated above while pushing diffuser upward over the outside of the support screws.

Step 2: Push the diffuser upward far enough for the captive channel to slide over the top of the screw installed in the fixture endplate. Release the pressure on the diffuser, allowing the diffuser to flex back to its original position and allowing the diffuser to drop down onto the screws installed into the fixture endplate.

Step 3: Diffuser is shown resting on screws in the final installed position (Figure B). The screws are positioned inside the captive channel in the diffuser.

Figure A

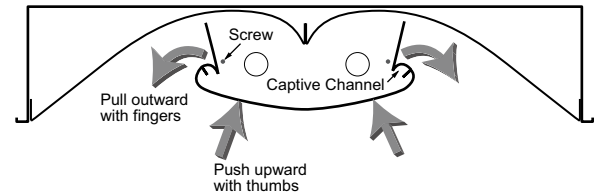


Figure B

