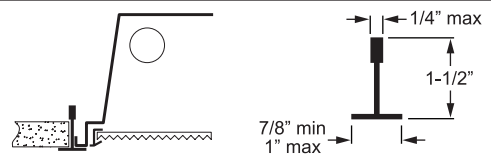


# INSTALLATION INSTRUCTIONS FOR USE WITH DSPL SERIES

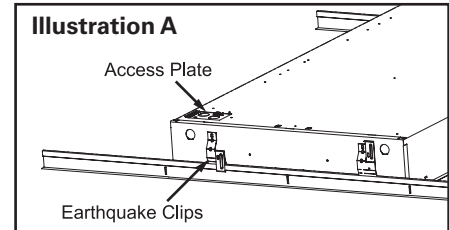
## What is a NEMA "G" (Grid) fixture?

- All Williams grid fixtures (NEMA Type "G") are designed to fit securely into a standard NEMA Type "G", 1" nominal T-bar system.



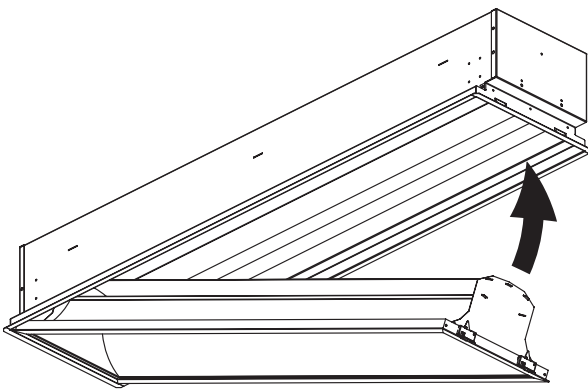
**\*\* Installation of these products should only be performed by a qualified electrician. \*\***

- Follow the steps below to install the fixture(s) into a NEMA Type "G" ceiling system:
  - Raise the fixture through the ceiling opening and rest the fixture in the grid system
  - Center the fixture within the opening
  - If required, use earthquake clips to secure the fixture to the ceiling structure for added stability
  - Refer to local codes for other installation requirements

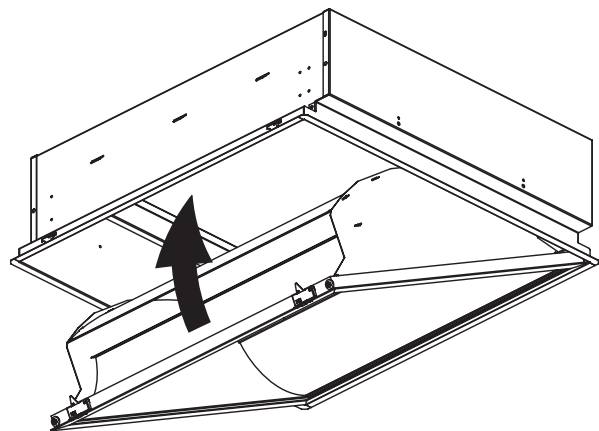


- Once the fixture is installed into the ceiling system, follow the steps below to complete necessary electrical connections:
  - Remove access plate on the back of the fixture (see Illustration A.)
  - Remove ballast supply wires from access plate
  - Make wire connections in accordance with local codes. Ground screw is provided on access plate
  - Replace access plate

- Swing door/reflector assembly up into the fixture. The spring-loaded cam latches should make a slight clicking sound when engaged securely with the housing.



Example of DSPL 1' x 4'



Example of DSPL 2' x 2'  
(Also applicable to 2' x 4')

**Note:** Refer to individual product specification sheets for further information